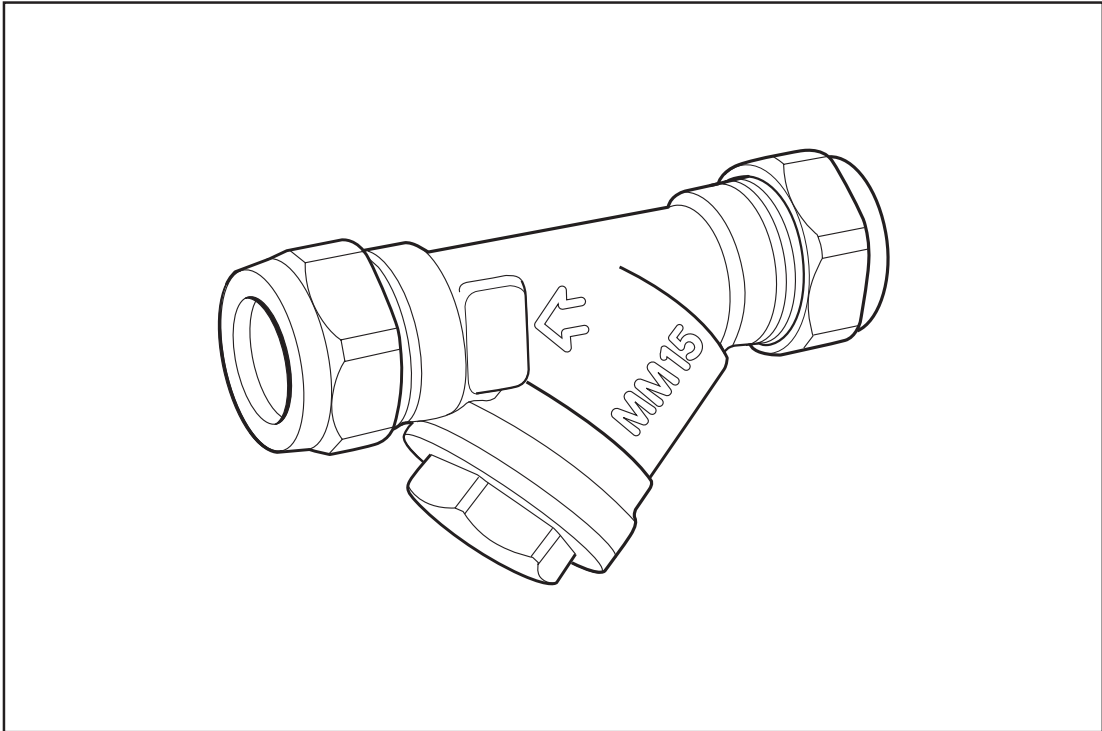




Product Specification Sheet

Protecto YC



A range of compact, Class 3, in-line strainers.

Product Features and Benefits

- 15mm and 22mm models for protection of water systems.
- Compression connections for simple, low cost installation.
- Compact, DZR brass body.
- Access port to sleeve filter, allows servicing without need to replace.
- O-ring seal on access port for ease of service.
- Dual thickness gauze for improved resistance to damage.
- Stainless steel 60 mesh filter.

✓ WRAS listed.

Protecto YC

Description

A range of compact, Class 3, in-line strainers, with hot pressed DZR bodies and compression connections. Filter mesh is dual thickness 60 mesh (0.25mm aperture) stainless steel.

Product Range

LINS 400 001: 15mm Line Strainer
LINS 400 101: 15mm Line Strainer (nickel plated)
LINS 400 002: 22mm Line Strainer

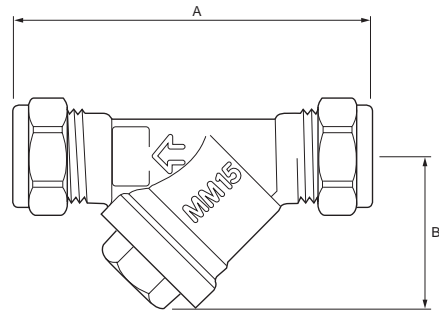
Materials

Body: DZR brass
Cap: DZR brass
Strainer mesh: Stainless steel

Standards

WRAS Certificate No.9905039

Dimensions



	A	B	Mesh size
15mm	79	35	60
22mm	100	45	60

All dimensions in mm

Specifications

Max. working pressure: 16 bar
Max. temperature: 110°C
Mesh: 60 (0.25mm aperture)

How to Specify

A 'Y' strainer with compression connections and a double reinforced thickness 60 micron mesh. The filter cap to incorporate an 'O' ring seal. (Include correct product range code).

Guarantee

All RWC products undergo strict performance tests prior to despatch, and are guaranteed against faulty materials and workmanship for one year from date of purchase. This is in addition to any statutory rights.

Contacts:	Sales Enquiries	Technical Support
Telephone:	+44 (0)1386 712400	+44 (0)1386 47148
Fax:	+44 (0)1386 47028	+44 (0)1386 422217
E-Mail:	sales@rwc.co.uk	technical@rwc.co.uk



Reliance Water Controls
Worcester Road, Evesham, Worcestershire, WR11 4RA, UK
Tel: +44 (0)1386 47148 Fax: +44 (0)1386 47028 www.rwc.co.uk

