

TYPE 900

UNIFLOW® Threaded Y-Strainers series 900 are devices for mechanically removing solids from flowing media by means of a perforated screen, replaceable in line. They combine a rugged and compact design for indoors installation in industrial plants, building industry, etc.



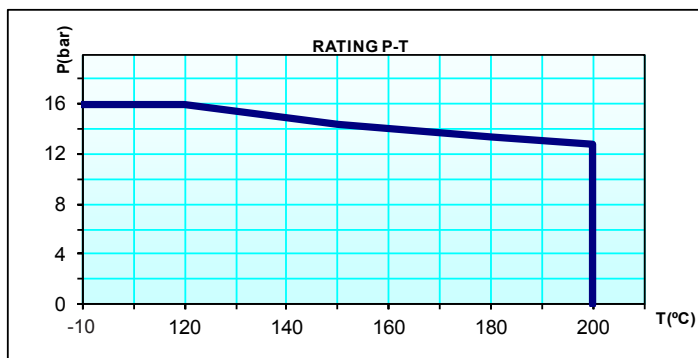
Main Features

Valve design: EN 12516
 Nominal pressure: PN16
 End connections: Female thread to ISO 228-1 (DIN 259-BSPP)
 Marking: EN 19
 Pressure Tests: EN 12266-1
 Inside and outside primer paint layer black color for protection during storage and transport
 Product compliant with Directive 2014/68/EU on Pressure Equipment (PED)

Main Duties / Limits of use

Fresh water and neutral liquids of group 2* acc. to Directive 2014/68/EU, Annex II table 9 up to category I
 Low pressure steam, neutral gases of group 2* acc. to Directive 2014/68/EU, Annex II table 7 up to category I
 PS: 16 bar DN15-50 (Art.4-Parr.3)
 TS: -10/200°C
 Questions referring to chemical resistance, please consult us
 Observe also pressure/temperature limits on diagram
 *Classification of fluids (group 2) acc. to Directive 2014/68/EU, Article 13

P (bar)	16	16	14,4	13,4	12,8
T (°C)	-10	120	150	180	200

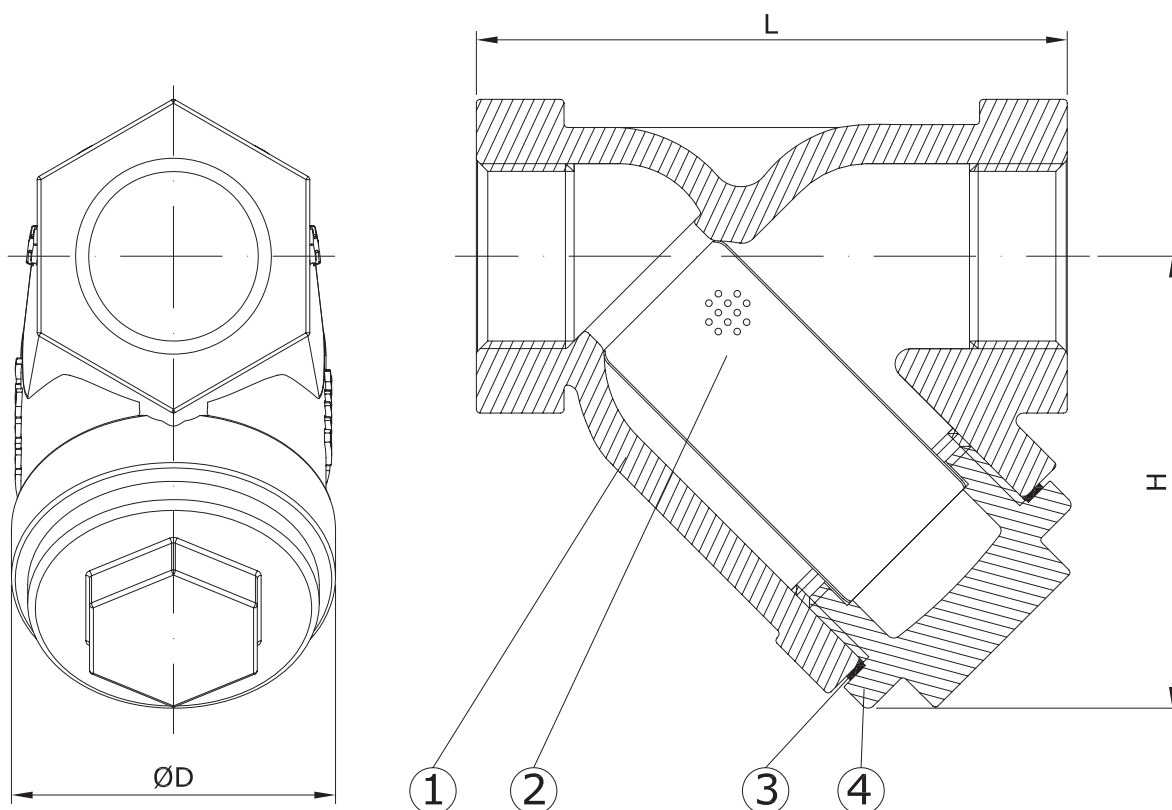


Options

Other screen perforations, other connections, other designs and approvals, please consult us.

TYPE 900

Main Parts and Materials



N°	PART	MATERIAL
1	BODY	Cast iron EN-JL1040 (GG25)
2	SCREEN	St. steel 1.4541
3	GASKET	PTFE
4	COVER	Cast iron EN-JL1040 (GG25)

Main Valve Parameters

DN	15	20	25	32	40	50
NPS	1/2"	3/4"	1"	1 1/4"	1 1/2"	2"
L	90	104	118	138	154	193
H	65	70	85	105	115	140
ØD	44	51	55	70	85	102
Cover (BSPT)	G3/4"	G1"	G1"	G1-1/2"	G2"	G2-1/2"
Standard screen perforation	1	1	1	1	1	1
Kvs-value	6,7	10,5	17,2	25,3	35,6	59,2
Approx. Weight	1	1,5	2	2,5	4	6,5

Dimensions in mm subject to manufacturing tolerance / Kvs-values in m³/h / Weights in kg