

## Cim 630

### BALL VALVE WITH STRAINER, DRAIN COCK, BRASS CAP AND CHAIN - T12 SERIES



This article was made in compliance with the quality management requirements of standard ISO 9001:2008. All articles are tested according to the standard EN 12266-1:2003.

It can be used in a wide variety of sectors: heating, air conditioning, water, sanitary systems, pneumatic systems and generally with any non corrosive liquid.

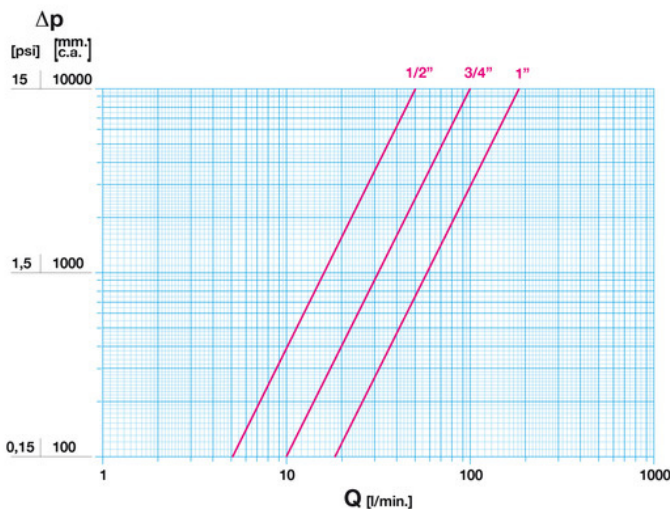
It is guaranteed for 5 years.

It is made of a brass alloy that complies with standard EN 12165-CW617N-M.

Nominal Pressure: PN32

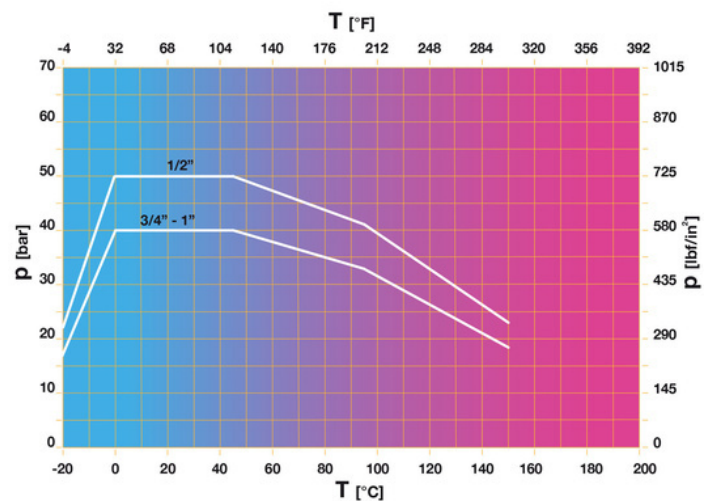
Operating temperature:  $-20 \div 150^{\circ}\text{C}$

### FLOW AND PRESSURE DROP



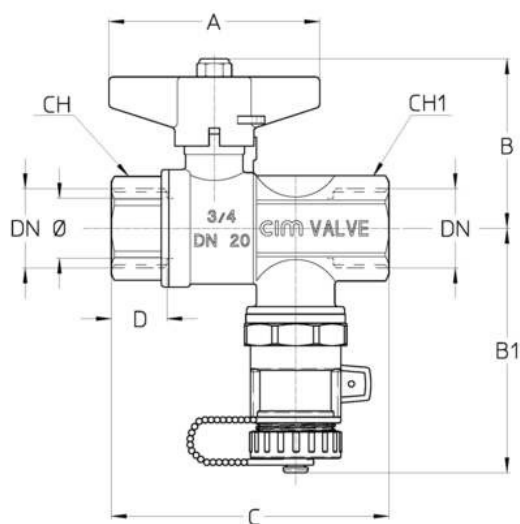
Notes:  
 1 l/min = 0,06 m<sup>3</sup>/h  
 1 m<sup>3</sup>/h = 16,67 l/min  
 1 bar = 10.000 mm w.c.  
 1 psi = 690 mm w.c.

### PRESSURE TEMPERATURE RATINGS



Notes:  
 1 bar = 14,5 psi  
 1 bar = 14,5 lbf/in<sup>2</sup>  
 $^{\circ}\text{C} = 5/9 \times (^{\circ}\text{F} - 32)$   
 $^{\circ}\text{F} = 32 + (9/5 \times ^{\circ}\text{C})$

## TECHNICAL DRAWING



DN	1/2"	3/4"	1"
Φ mm	15	20	25
<b>Grms.</b>	<b>500</b>	<b>710</b>	<b>965</b>
A	50	70	70
B	52	56	60
B1	77	81	91
C	81	92	112
D	17	18,5	21
CH	25	31	40
CH1	25	31	38

Thread:  
ISO 7 - Rp

Upon request:  
ISO 7 - Rc  
ANSI B1.20.1 - NPT

## TECHNICAL CHARACTERISTICS

KV CM CS MT			
DN	1/2"	3/4"	1"
Φ mm	15	20	25
KV	3	6	11
CM	3	5	6
CS	6	10	12
MT	10	24	24

KV = Capacity in m<sup>3</sup>/h at pressure drop of 1 bar.

CM = Operating torque in Nm.

CS = Starting torque in Nm.

MT = Stem breaking torque in Nm.

## OUR CERTIFICATIONS

