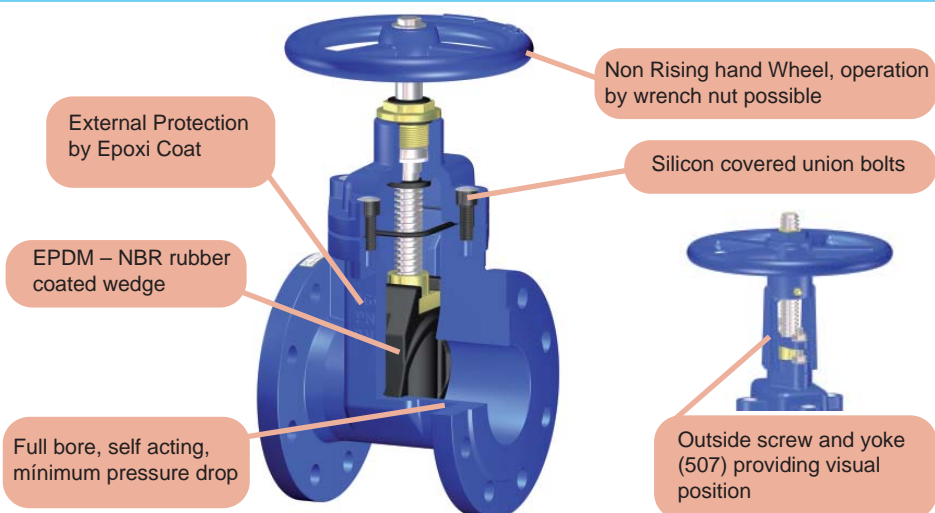
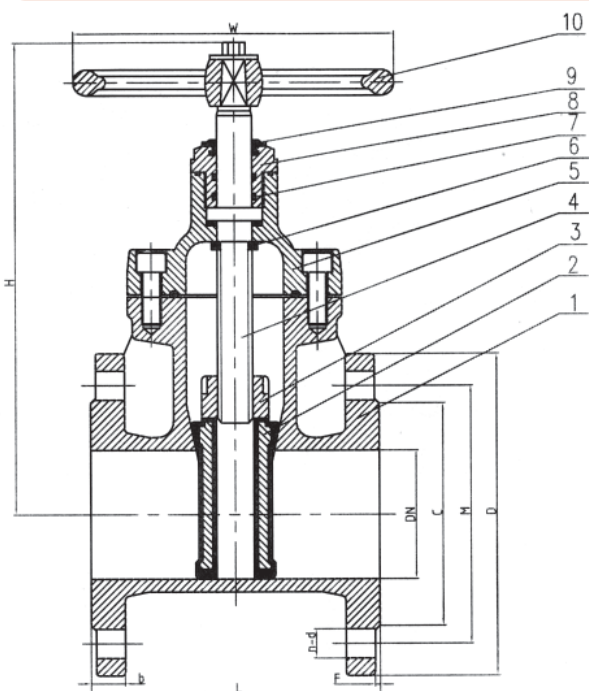


Resilient Seat Gate Valves, free of maintenance, inner screw (504) or outside screw and yoke (507), clockwise closure, bolted bonnet. They are provided with external protection by EPOXI coater and are the right choice for general water systems. They offer a perfect tightness thanks to their resilient media coated wedge even with sediment media.



Isolating Linear Valves for On/off* Leakage Rate 0 according to Test procedure DIN 3230-3 * bidirectional design *Manufacturing Design to Harmonized Standard EN 1171:2002 and DIN 3352 section 4* Design Pressure Rating: PN 16 * Size range: DN 40 – DN 1000 * Design Temperature Range: Up to 70/ 90°C * Face to face length DIN 3202 F4 (EN 558-14) * Valve End connections: flanged DIN PN 10-16* Approvals: PED 97/23/CE – Category II, Fluids Group 1 and 2.



Main Parts and Materials

Nº	PART	MATERIAL
1	BODY	GGG40
2	WEDGE	GGG40/NBR/EPDM
3	BACK SEAT	38-2-2
4	SPINFLE	ST. STEEL 410/13%Cr
5	BONET	GGG40
6	PACKING SPINDLE	NBR
7	O-RINGS	NBR
8	GLAND BUSHING	38-2-2
9	BUSH SEAL	NBR
10	HANDWHEEL	GGG40

Main Valve Dimensions (mm)

DN		40	50	65	80	100	125	150	200	250	300	350	400
L	F4	140	150	170	180	190	200	210	230	250	270	290	310
	F5	240	250	270	280	300	325	350	400	450	500	550	600
H	Fig 504	260	270	283	311	352	435	485	520	632	745	835	953
	Fig 507	---	405	440	465	510	580	645	745	975	1165	1540	1760
C		88	102	122	138	158	188	212	268	320	378	438	490
M		110	125	145	160	180	210	240	295	355	410	470	525
D		150	165	185	200	220	250	285	340	405	460	520	580
b		18	20	20	22	22	24	24	26	28	30	32	32
f		3	3	3	3	3	3	3	3	3	3	4	4
w		160	180	180	200	250	280	320	350	400	450	500	550
n-d		4x18	4x18	4x18	8x18	8x18	8x18	8x22	12x22	12x26	12x26	16x26	16x30

Dimensional details valves DN450-DN800, on request to our Technical Dept.

Options

AWWA design* Flanged to ANSI / BS T.D, 16 * UL/FM Approved * extended Bonnet for underground service * limit switches * Chained hand Wheel * Electric Actuation * Gear operated*

Main Duties

Water* Neutral Liquids * Fire Protection Systems, (507)