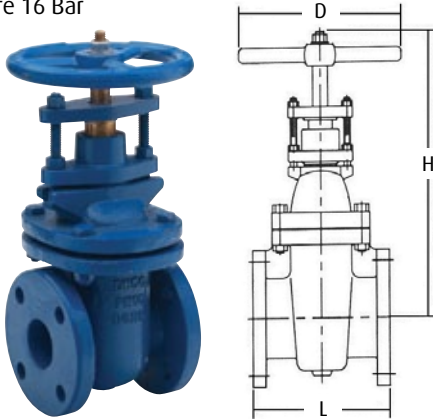


Cast Iron Gate Valve BS3464/BS5150 (EN1171)

Flanged BS10 Table E
Max Working Pressure 16 Bar
Bronze Trim
Inside Screw
Non Rising Stem



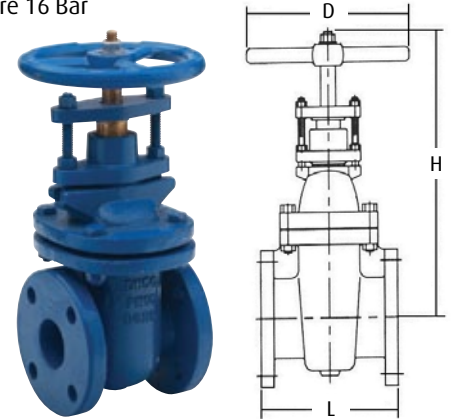
Pressure/Temperature Ratings	
Nominal Pressure	16 Bar
Hydraulic Shell Test Pressure	24 Bar
16 Bar @ -10°C to 120°C	
Suitable Media	Water, Oil, Gas

Material List	
Body	Cast Iron GG25
Wedge	Cast Iron GG25
Wedge Seat Ring	Bronze
Body Seat Ring	Bronze
Stem Nut	Bronze
Stem	Brass
Bonnet	Cast Iron GG25
Packing	Graphite
Handwheel	Ductile Iron GG40

Dimensions				
DN	Size	L	H	D
50	2"	146	327	190
65	2½"	159	322	190
80	3"	165	340	190
100	4"	171	420	305
125	5"	191	477	305
150	6"	210	542	305
200	8"	241	668	305
250	10"	273	750	405
300	12"	305	835	405

Cast Iron Gate Valve BS3464/BS5150 (EN1171)

Flanged BS10 Table D
Max Working Pressure 16 Bar
Bronze Trim
Inside Screw
Non Rising Stem



Pressure/Temperature Ratings	
Nominal Pressure	16 Bar
Hydraulic Shell Test Pressure	24 Bar
16 Bar @ -10°C to 120°C	
Suitable Media	Water, Oil, Gas

Material List	
Body	Cast Iron GG25
Wedge	Cast Iron GG25
Wedge Seat Ring	Bronze
Body Seat Ring	Bronze
Stem Nut	Bronze
Stem	Brass
Bonnet	Cast Iron GG25
Packing	Graphite
Handwheel	Ductile Iron GG40

Dimensions				
DN	Size	L	H	D
100	4"	171	420	305