



Cim 3739B Variable orifice flanged balancing valve PN 16 - CAST IRON GG25

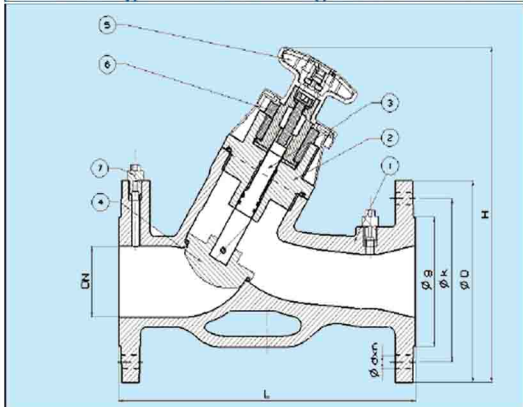
Cim 3739B flanged balancing valves are used where an accurate flow measurement in big heating or cooling systems is needed. The cast iron valves have flanges PN 16 and a valve position storage device, enabling the opening and closing of the valve at the pre-set position. They are supplied with binder points **Cim 723**.

■ Pressure Class: PN16. Temperature: -10°C÷120°C.

cim3739B



1	BODY	EN-JL 1040 / EN-JS 1020
2	BONNET	EN-JL 1040 / EN-JS 1020
3	STEM	STAINLESS STEEL
4	DISC	STAINLESS STEEL+PTFE
5	HANDWHEEL	PA GF30
6	YOKE NUT	BRASS (CuZn40Pb2)
7	PRESSURE TEST POINT	BRASS (CuZn40Pb2)



DN	50	65	80	100	125	150	200	250	300
Kg.	11,6	15,9	19,7	38,8	76,5	81,7	165	250	400
L	230	290	310	350	400	480	600	730	850
H	190	215	225	360	375	393	435	460	490
D	165	185	200	220	250	285	340	405	460
K	125	145	160	180	210	240	295	355	410
g	99	118	132	156	184	211	266	319	370
b	20	20	22	24	26	26	30	32	32
d	19	19	19	19	19	23	23	28	28
Kvs	56	83	117	222	295	393	698	860	1500
n	4	4	8	8	8	8	12	12	12