

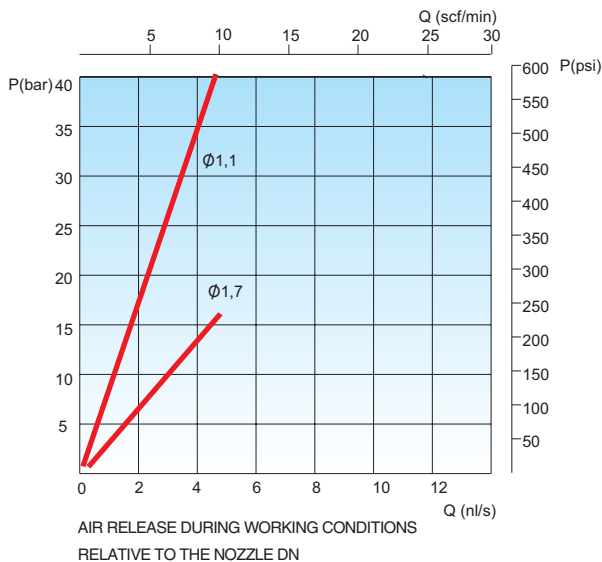
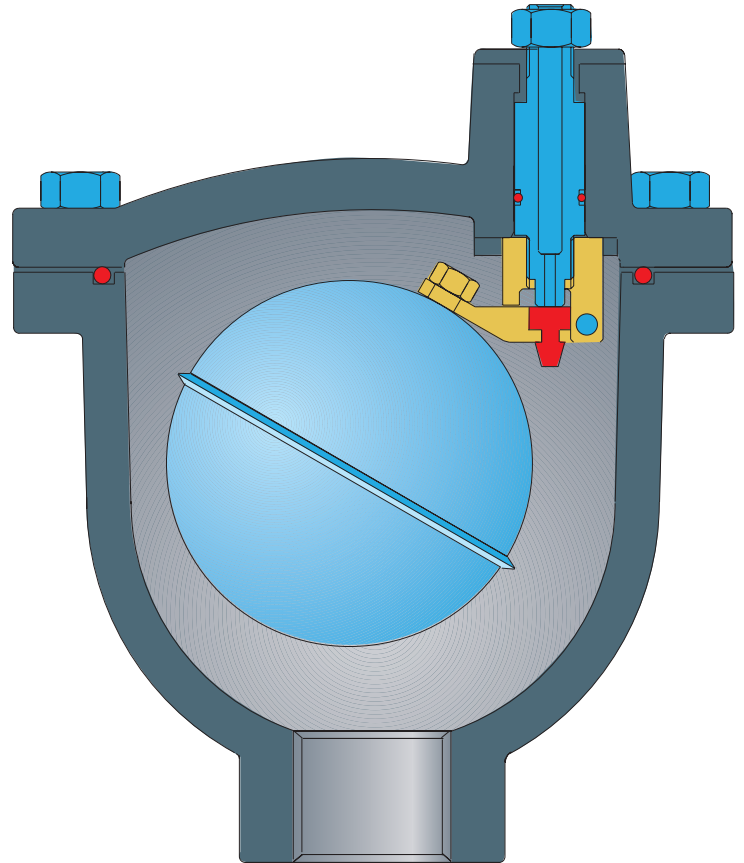


Automatic air release valve Mod. VENTOLO 1"



Its compass construction with only one mobile part, guarantees automatic release of air under pressure. Its technical features lead

this product to the maximum quality levels in the market.



Operating principle

The float, a stainless steel ball connected to the nozzle through a compass joint, rises and closes the orifice due to the force exerted by the water.

When operating, entrapped air accumulates in the upper part of the air release valve and increasing its volume causes water level to fall. The float, that is no longer supported, drops down allowing pressurized air to flow out from the small orifice, as if an air-bubble would suddenly fill the valve.

Working conditions

Maximum working pressure 40 bar/ 580 psi
Minimum working pressure 0.1 bar/ 1.45 psi
Body testing pressure 60 bar

Design features

Body and Cap in GS 400-15 epoxy painting

Nozzle and articulation in stainless steel and brass

Float in AISI 304 in stainless steel ball

Nuts and Bolts in A2 stainless steel

Gaskets in NBR and silicon

