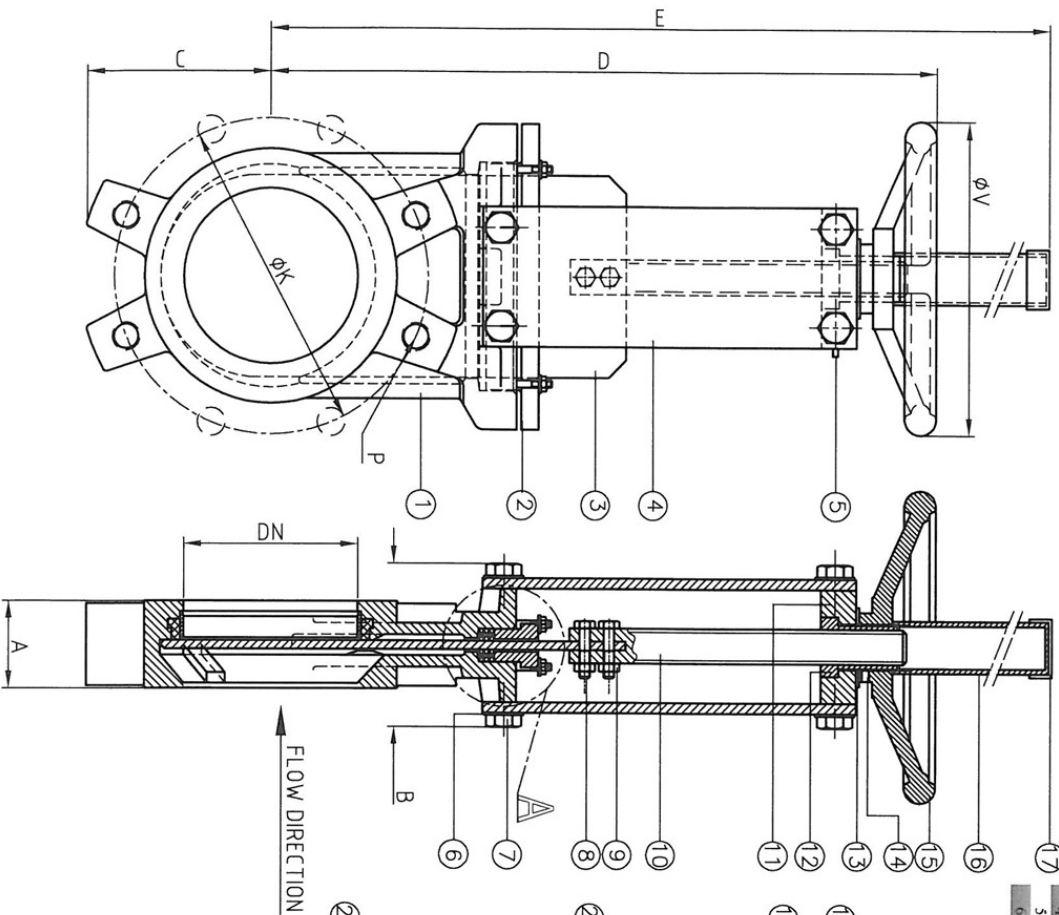


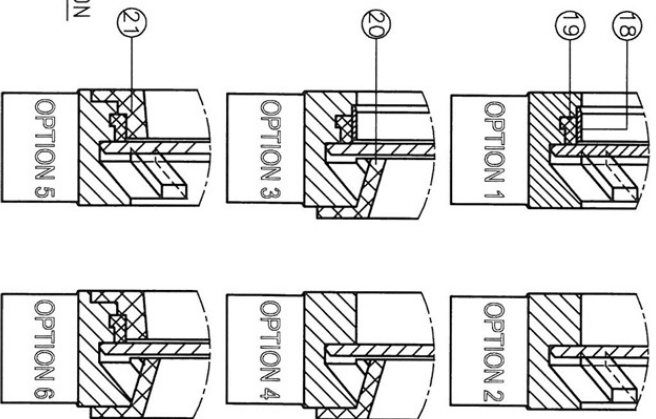
KNIFE GATE VALVE 200EV (MANUAL ACTUATOR)



DN	INCHES	A	B	C	D	E	ϕV
50	2"	40	90	60	284	425	200
65	2.12"	40	90	68	308	450	200
80	3"	50	90	90	334	480	200
100	4"	50	90	105	374	520	200
125	5"	50	100	118	413	600	250
150	6"	60	100	135	465	650	250
200	8"	60	120	170	582	820	300
250	10"	70	120	202	682	1020	300
300	12"	70	120	240	782	1120	300
350	14"	96	192	255	898	1380	400
400	16"	100	192	295	1003	1490	400
450	18"	106	192	318	1093	1580	500
500	20"	110	192	345	1207	1690	500
600	24"	110	290	405	1410	2080	500

DN	INCHES	PN 10	ϕK ANSI 150	NO HOLES	PN 10 ANSI 150
50	2"	125	120.6	4	M16 W 5/8"
65	2.12"	145	139.7	4	M16 W 5/8"
80	3"	160	152.4	8	M16 W 5/8"
100	4"	180	190.5	8	M16 W 5/8"
125	5"	210	215.9	8	M16 W 3/4"
150	6"	240	241.3	8	M20 W 3/4"
200	8"	295	298.4	8	M20 W 3/4"
250	10"	350	361.9	12	M20 W 7/8"
300	12"	400	431.8	12	M20 W 7/8"
350	14"	460	476.2	16	M24 W 1"
400	16"	515	539.7	16	M24 W 1"
450	18"	565	577.8	20	M24 W 1.18"
500	20"	620	635	20	M24 W 1.18"
600	24"	725	749.3	20	M27 W 1.18"

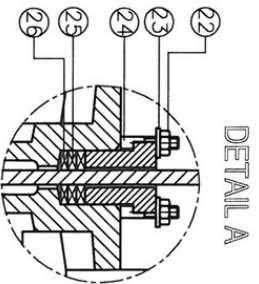
SEAT OPTIONS



REF	DENOMINATION	MATERIAL	MATERIAL
1	Body	Cast iron GG25	SS316
2	Packing gland	Aluminum/GG30	SS316
3	Gate	SS304L	SS316L
4	Support plate	Steel	Steel
5	Greaser	Standard	Standard
6	Grover washer	Steel	A2
7	Bolts	Steel	A2
8	Union studs stem-gate	Steel	A2
9	Union nuts stem-gate	Steel	A2
10	Stem	SS303*	SS303*
11	Support bridge	Steel	Steel
12	Stem drive nut	Brass	Brass
13	Washer	Brass	Brass
14	Stop screw	A2	A2
15	Handwheel	Cast iron GG25	Cast iron GG25
16	Tube	Steel	Steel
17	Cover	Plastic	Plastic
18	Sealing ring	SS316L	SS316L
19	Seal	EPDM*	EPDM*
20	Deflecting cone 15°	SS316*	SS316*
21	Reinforced ring 8°	SS316*	SS316*
22	Nut	Steel	A2
23	Washer	Steel	A2
24	Studs	Steel	A2
25	Packingo ring	EPDM*	EPDM*
26	Packing gland	SYNT+PTFE*	SYNT+PTFE*

*CONSULT MATERIAL

STANDARD TEST PRESSURE:
 MAXIMUM WORKING PRESSURES RECOMMENDED:
 DN50-DN400: 6Bar
 DN50-DN250: 10Bar
 DN300-DN400: 6Bar
 DN450-DN600: 4Bar



ZUBI reserves the right to modify the measures without previous notice