

Description

Centric butterfly valve with elastomer liner for liquids and gases in the industrial range, general services, water treatment, ...

Product features

- Body construction D1 Wafer DN 25-800
D3 Lug DN 25-400
D4 U-section DN 150-1600
- Face to face dimension according to ISO 5752/20, EN 558-1/20
- Top flange according to EN ISO 5211
- Max. working pressure 16 bar
- Rating PN6, PN10, PN16, ANSI cl. 150
- Temperature range -20°C ÷ 140°C according to material
- Tightness test according to EN 12266-1/P12 leakage rate A, test fluid water



The butterfly valves DESPONIA meet the safety requirements of the pressure Equipments Directive 97/23/EC (PED) appendix 1 for fluids of the groups 1 and 2.



**D1
Wafer**



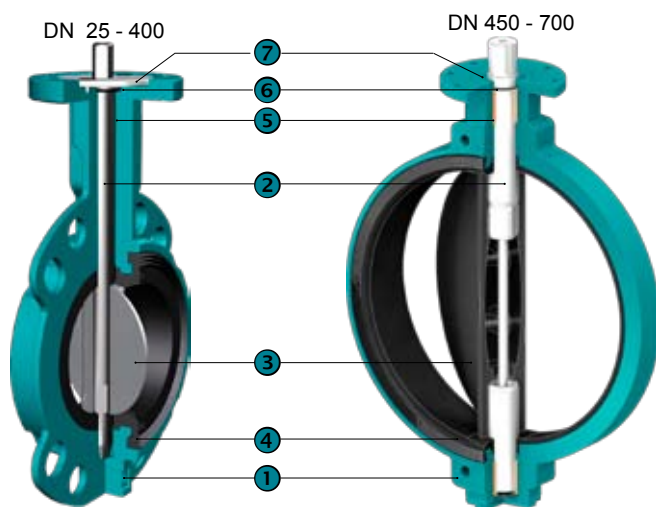
**D3
Lug**



**D4
U-section**

Construction

1	Body (extended valve neck allowing insulation)
2	Blow out proof shaft with position indication
3	Disc
4	Exchangeable liner with sealing grooves on the tightening face
5	Shaft bearing (DN25-400 Resicoat®, DN450-1600 Bronze)
6	External shaft sealing
7	Retaining washer (blow out protection)



DN 750 - 1600



Cv values m³/h

opening angle of the valve

Sizes	20°	30°	40°	50°	60°	70°	80°	90°
32		1,5	5	10	15	26	34	40
40		2,7	8,5	16	25	37	46	50
50	2	7	15	28	45	68	88	100
65	3	11	24	48	85	138	180	210
80	8	22	50	83	134	230	312	360
100	15	35	70	130	225	410	585	650
125	28	70	135	230	360	600	920	1050
150	33	95	205	320	580	980	1410	1620
200	60	175	355	580	910	1600	2450	2800
250	132	340	590	940	1480	2550	3950	4480
300	200	505	890	1450	2100	3800	5960	6800
350	280	680	1200	2050	3150	5050	8100	9200
400	365	860	1500	2490	3980	6600	10200	11700
450	465	1080	1900	3150	5050	8700	13300	15200
500	580	1200	2300	3740	6150	11000	16800	18900
600	820	1600	2780	5200	8940	14500	23500	26800
700	890	2050	3450	6050	11050	18800	31500	37100
800	1300	2550	4950	8750	14200	23500	39500	48500
900	1650	3300	6400	11800	19400	31500	52500	61300
1000	2150	4250	8200	15100	23500	39400	65500	80500
1200	4000	7500	12500	19800	34000	55400	98300	119200
1400	5200	10120	18200	32500	51500	89500	142000	162000
1600	7100	14210	26050	45000	71200	118500	196200	228500

Type code




D1 0100 . 3 3 . 2AR . 4A . 2AR . E			
①	②	③ ④	⑤ ⑥ ⑦ ⑧
① Type	D1	Wafer	DN25-800
	D3	Lug body	DN25-400
	D4	U-section body	DN150-1600
② Nominal diameter	0025-1600	mm	
③ Working pressure	0	2,5 bar	
	1	6 bar	
	*	10/16bar, see table below	
④ Rating	**	PN6/10/16 see table below. Other ratings on request	
⑤ Body	1AE	Cast iron EN-GJL-250, Polyurethan coated 70µ	< 140°C DN450-1600
	2AR	Ductile iron EN-GJS-400-15, Epoxy (Resicoat®) coated 200µ	< 110°C DN25-400
	2AE	Ductile iron EN-GJS-400-15, Polyurethan coated 70µ	< 140°C DN450-1600
	2AN	Ductile iron EN-GJS-400-15, Polyurethan coated 250µ	< 110°C
⑥ Shaft	4A	Stainless steel 1.4028, AISI420	
	4L	Stainless steel 1.4542 / 17-4PH	
⑦ Disc	2AR	Ductile iron EN-GJS-400-15, Rilsan coated 250µ	< 90°C DN25-700
	2AE	Ductile iron EN-GJS-400-15, Polyurethan coated 70µ	< 120°C DN800-1600
	2AC	Ductile iron EN-GJS-400-15, Chrome coated	DN25-600
	2AH	Ductile iron EN-GJS-400-15, Halar coated min.600µ	< 70°C
	4C0	Stainless steel 1.4408, AISI316	
	4CP	Stainless steel 1.4408, AISI316, polished	DN25-600
	4I0	Super Duplex steel 1.4573	
	4S0	Super austenitic steel 1.4588	
	5C0	Alubronze ASTM B148 C95800 / G-Cu Al 10 Ni	
⑧ Liner	7H0	Hastelloy ASTM A494 CW-12MW	
	E	EPDM < 95°C	pmax DN25-1200 = 16 bar, DN1400-1600 = 10 bar
	EE	EPDM DVGW, ACS, WRAS, EN681-1 < 80°C	pmax DN25-1200 = 16 bar, DN1400-1600 = 10 bar
	EC	EPDM HT < 130°C	pmax DN25-1200 = 16 bar, DN1400-1600 = 10 bar
	N	Nitril (NBR) < 100°C	pmax DN25-300 = 16 bar, DN350-1600 = 10 bar
	H	CSM (Hypalon) < 125°C	pmax DN25-300 = 16 bar, DN350-1600 = 10 bar
	V	FPM (Viton) < 200°C	pmax DN25-300 = 16 bar, DN350-1600 = 10 bar
	Other materials and white liners on request		

Other executions on request !

* Working pressure (Code)

Body material	DN→	25	32	40	50	65	80	100	125	150	200	250	300	350	400	450	500	600	700	800	900	1000	1200	1400	1600	
EN-GJL-250 (1A)	10 bar																									
EN-GJS-400-15 (2A)	10 bar																									
	16 bar																									

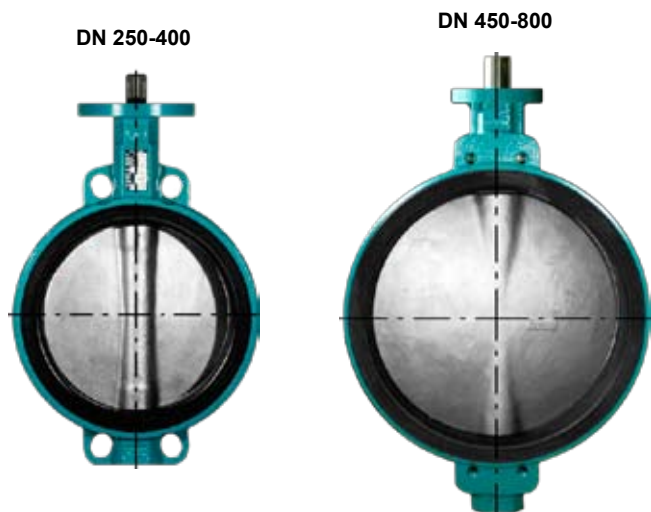
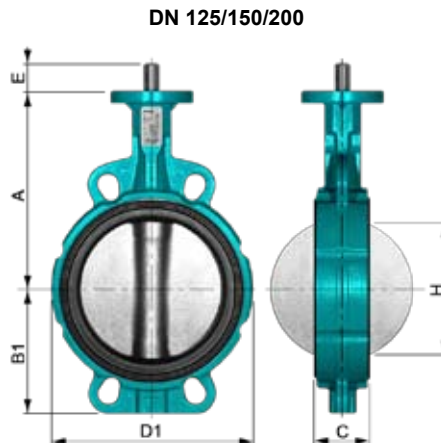
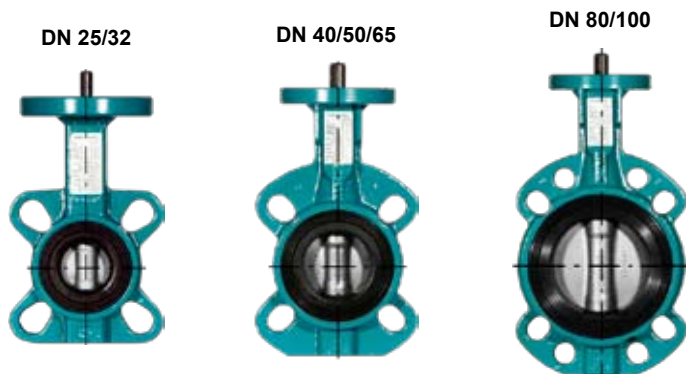
**Rating (Code)

DESPONIA	DN→	25	32	40	50	65	80	100	125	150	200	250	300	350	400	450	500	600	700	800	900	1000	1200	1400	1600	
 D1	PN6																									
	PN10																									
	PN16																									
 D3	PN10																									
	PN16																									
 D4	PN10																									
	PN16																									

Max. pressure and temperature limits of application are dependent of the working conditions.

Dimensions

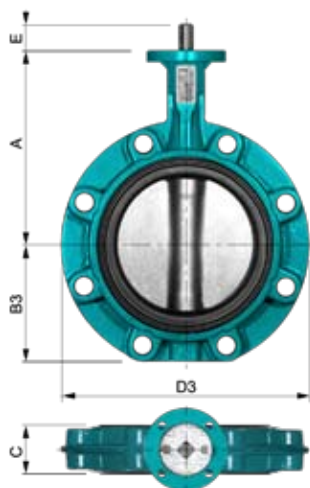
D1 Wafer, DN25-800



DN	A	B1	C	D1	E	H*	[kg]
(25)32	110	50	30	72	19	17,0	1,4
40	130	60	33	86	19	27,0	2,0
50	135	72	43	101	19	30,0	3,0
65	150	82	46	121	19	49,0	3,6
80	160	92	46	138	19	68,5	4,0
100	180	102	52	160	19	88,5	5,5
125	195	120	56	189	19	114,5	7,5
150	210	133	56	214	19	142,0	8,6
200	240	163	60	272	25	193,5	12,7
250	280	196	68	324	32	243,5	22,2
300	315	232	78	378	32	292,5	30,8
350	330	257	78	425	40	329,5	41,5
400	365	292	102	475	40	375,5	57,2
450	400	359	114	538	65	426	95,0
500	440	397	127	595	65	477	125
600	525	467	154	695	80	572	180
700	565	518	165	800	80	663	280
800	632	562	190	908	80	780	387

* When using plastic stubs please check dimension H to avoid damaging of disc

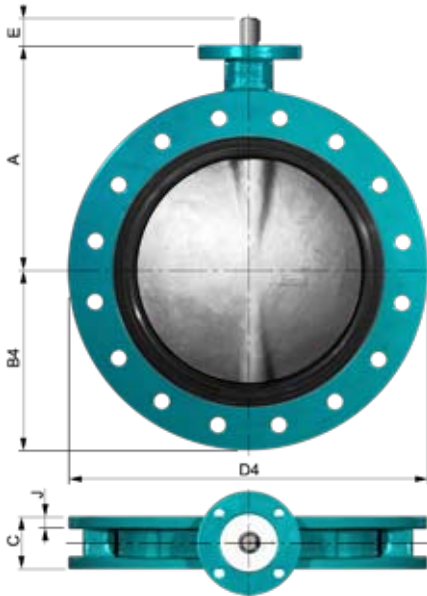
D3 Lug body, DN 25-400



DN	A	B3	C	D3	E	H*	[kg]
25	110	50	30	72	19	17,0	1,4
32	110	50	30	72	19	17,0	1,4
40	130	60	33	86	19	27,0	2,0
50	135	72	43	117	19	30,0	3,2
65	150	82	46	130	19	49,0	4,0
80	160	88	46	188	19	68,5	6,1
100	180	102	52	219	19	88,5	8,5
125	195	116	56	248	19	114,5	10,0
150	210	128	56	274	19	142,0	11,0
200	240	161	60	332	25	193,5	19,6
250	280	199	68	402	32	243,5	28,7
300	315	234	78	472	32	292,5	41,2
350	330	258	78	520	40	329,5	55,0
400	365	290	102	584	40	375,5	75,0

Dimensions

D4 U-section body, DN 150-1600

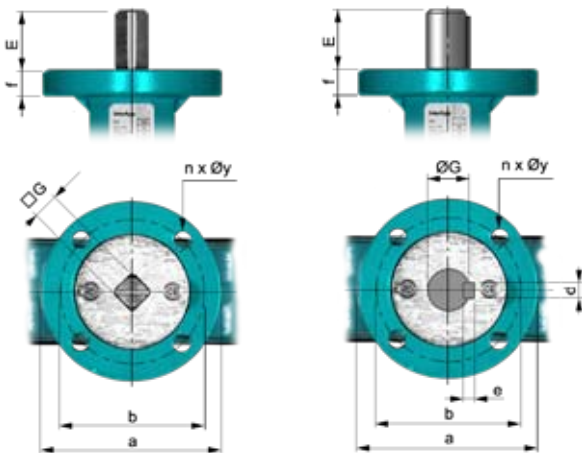


DN	A	B4	C	D4	H*	J	E	[kg]
150	210	143	56	285	142,0	10,0	19	15,0
200	240	170	60	340	193,5	12,5	25	19,5
250	280	200	68	406	243,5	15,0	32	30,5
300	315	239	78	482	292,5	15,0	32	44,0
350	330	265	78	533	329,5	18,0	40	59,0
400	365	296	102	596	375,5	20,0	40	82,0
450	400	359	114	640	426	24,0	65	118
500	440	397	127	715	477	26,0	65	175
600	525	467	154	840	572	28,5	80	260
700	565	503	165	927	663	31,5	80	345
(750)	590	541	170	985	712	34,0	80	435
800	630	580	190	1060	780	36,5	80	510
900	695	650	203	1170	855	38,0	100	660
1000	748	696	216	1255	960	44,0	100	790
(1100)	768	738	218	1340	1055	44,0	100	850
1200	882	809	254	1485	1150	47,0	120	1180
1400	990	938	280	1680	1340	40,0	120	1700
1600	1117	1048	318	1924	1550	50,0	155	2600

Top flange according to ISO 5211

DN 25-400

DN 450-1600



DN	E	G	d	e	f	ISO	a	b	n x øy
25-40	19	□ 8	-	-	12	F07	90	70	4 x 9
50-100	19	□ 11	-	-	12	F07	90	70	4 x 9
125-150	19	□ 14	-	-	12	F07	90	70	4 x 9
200	25	□ 17	-	-	12	F07	90	70	4 x 9
250-300	32	□ 22	-	-	18	F10/F12	155	102/125	4 x 10 / 4 x 13
350	40	□ 22	-	-	18	F12	155	125	4 x 13
400	40	□ 27	-	-	18	F12	155	125	4 x 13
450-500	65	Ø 45	14	9	25	F14	175	140	4 x 18
600	80	Ø 70	20	12	25	F16	220	165	4 x 22
700	80	Ø 70	20	12	25	F25	300	254	8 x 18
(750)	80	Ø 70	20	12	30	F25	300	254	8 x 18
800	80	Ø 70	20	12	30	F25	300	254	8 x 18
900	100	Ø 80	22	14	30	F30	350	298	8 x 22
1000	100	Ø 80	22	14	30	F30	350	298	8 x 22
(1100)	100	Ø 80	22	14	30	F30	350	298	8 x 22
1200	120	Ø 100	28	16	30	F30	350	298	8 x 22
1400	120	Ø 120	32	18	35	F30	350	298	8 x 22
1600	155	Ø 130	32	18	40	F35	418	356	8 x 33,5

When mounting the valve at the end of a line please note:

- Body type	D3 possible without counter flange D4 only with counter flange
- Body material	2A (EN-GJS-400-15)
- Medium	only for liquids, 10÷30°C
- Max. working pressure (with 16 bar disc)	DN25-200 10 bar
	DN250-600 6 bar
	DN700-1400 2,5 bar

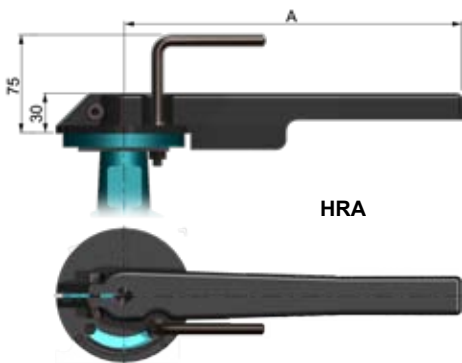
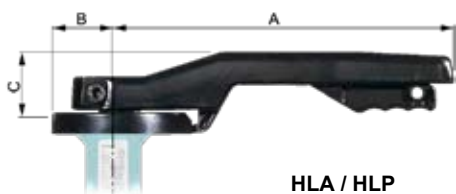
- no water hammer !!!

please consult our document "Flanges"



Dimensions

Handlever (DN25-300)



Aluminium, Epoxy coated

DN		A	B	C	[kg]
25-40	HLA.F0708.180	180	45,5	41	0,4
50-65	HLA.F0711.180	180	45,5	41	0,4
80-100	HLA.F0711.240	243	45,5	43	0,5
125-150	HLA.F0714.340	340	45,5	51	0,6
200	HLA.F0717.340	340	45,5	51	0,6
250-300	HLA.F1222.500	500	77,5	40	2,2

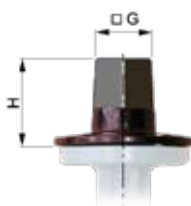
Polyamide PA 6, 30% glass fibers reinforced

DN		A	B	C	[kg]
25-40	HLP.F0708.240	243	45,5	41	0,3
50-65	HLP.F0711.240	243	45,5	41	0,3
80-100	HLP.F0711.240	243	45,5	43	0,3
125-150	HLP.F0714.340	340	45,5	51	0,5
200	HLP.F0717.340	340	45,5	51	0,5

Aluminium, Epoxy coated

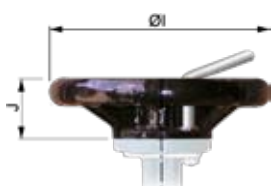
DN		A	[kg]
25-40	HRA.F0708.180	180	0,4
50-65	HRA.F0711.180	180	0,4
80-100	HRA.F0711.250	250	0,5
125-150	HRA.F0714.340	340	0,6
200	HRA.F0717.340	340	0,6

Plumber square (DN25-200)



DN		G	H
25-40	PO.F0708.30	30	65
50-100	PO.F0711.30	30	65
125-150	PO.F0714.30	30	65
200	PO.F0717.30	30	65

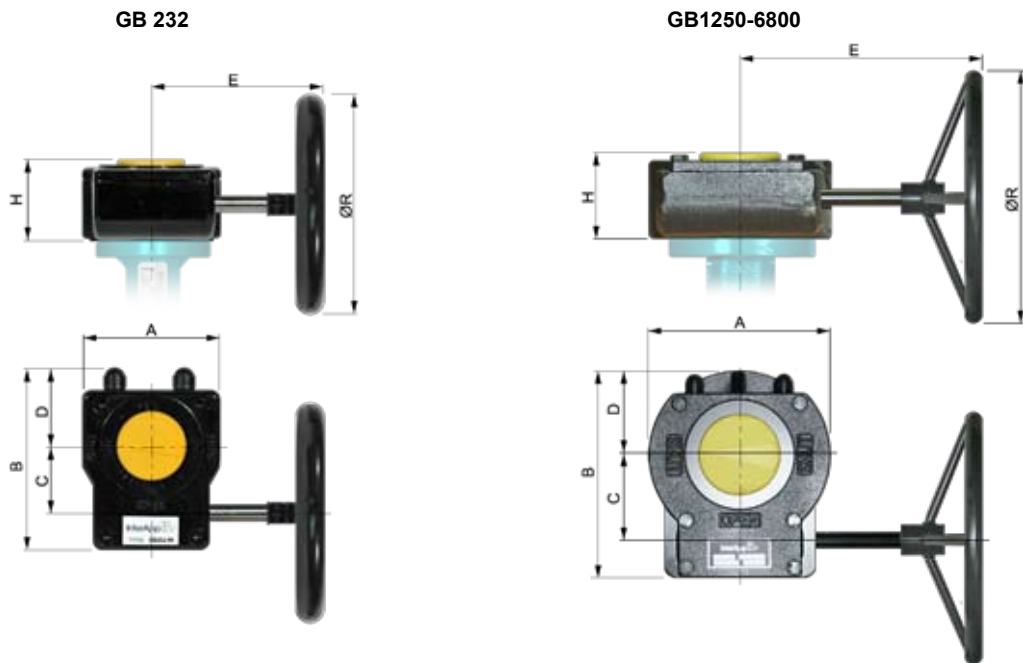
Handwheel (DN25-150)



DN		I	J
25-40	HW.F0708.200	200	52
50-100	HW.F0711.200	200	52
125-150	HW.F0714.250	250	52

Dimensions

Gearbox



For liquids 20°C - 80°C , p_{max} DN25-300 ...16 bar, DN350-1600 ... 10 bar

DN		A	B	C	D	E	H	ØR	n*	[kg]
25-40	GB232-05.F05-F0711.100(R08)	80	114	42,5	48	121	53	100	10	0,8
50-100	GB232-05.F05-F0711.100	80	114	42,5	48	121	53	100	10	0,8
125-150	GB232-05.F05-F0714.100	80	114	42,5	48	121	53	100	10	0,8
200	GB232-06.F05-F0717.160	80	114	42,5	48	180	59	160	10	0,9
250-300	GB232-08.F07-F1022.250	100	131	50	56	216	67	250	9,25	1,55
350	GB232-13.F10-F1222.300	175	209	80	83	361	84	300	10	5,4
400	GB232-13.F10-F1227.500	175	209	80	83	396	84	500	10	5,4
450	GB232-14.F1445.600	175	209	80	83	396	84	600	10	5,4
500	GB1250N.F1445.500	220	258	105	110	347	100	500	13,75	22
600	GB1250N.F1665.700-SH100	220	258	105	110	447	100	700	13,75	22
700	GB1950N/HR.F2570.600	285	402,5	211	142,5	387	155	600	21	32
750	GB1950N/HR.F2570.700-SH100	285	402,5	211	142,5	487	155	600	21	32
800	GB1950N/HR.F2570.700-SH100	285	402,5	211	142,5	487	155	700	21	32
900	GB6800N/SP4.F3080.500	370	482	263	170	500	160	500	79,25	70
1000	GB6800N/SP4.F3080.500	370	482	263	170	500	160	500	79,25	70
1100	GB6800N/SP4.F3080.500	370	482	263	170	500	160	500	79,25	70
1200	GB6800N/SP4.F30100.500	370	482	263	170	500	160	500	79,25	70
1400	GBA250G/SP9.F30120.800	510	725	431	235	629	169	800	176	225
1600	GBA250G/SP9.F35130.800	510	725	431	235	629	169	800	176	225



* n = Handwheel turns ON/OFF

Material:

GB232 : Aluminium, Polyurethan coated
 GB880-GB6800 : Cast iron, Polyurethan coated

Further documentation

Pneumatic actuators, Electric actuators, Accessories according separate data sheets.
Installation guide, Maintenance guide, Flanges: Please consult these guides for the installation and maintenance of our butterfly valves.


Konformitätserklärung DGRL 97/23/CE
Declaration of Conformity PED 97/23/CE


Hersteller
Manufacturer **InterApp-Valcom SA**
 Calderon de la Barca 12-14
 28860 Paracuellos de Jarama
 España

Wir erklären, dass die nachfolgend aufgeführten Armaturen die Sicherheitsanforderungen der Druckgeräterichtlinie 97/23/EG erfüllen.
 We declare that the valves listed below comply with the requirements of the Pressure Equipment Directive 97/23/EC.

Beschreibung der Armaturen
Description: Butterfly Valve - Desponia DN 32 – 1400
 - Desponia plus DN 32 – 600

Einstufung der Armatur
Classification of the valves **Absperrklappen / Butterfly valves** Desponia DN 32- DN 1400
 Absperrklappen / **Butterfly valves** Desponia plus DN 32-600

Fluide Gruppe 1 / Fluids group 1		Fluide Gruppe 2 / Fluids group 2
Gase / Gases	Flüssigkeiten / Liquids	Gase / Gases
DN25/32-150 PN 2.5-20	DN300 PN20	DN200 PN20
DN200 PN2.5-16	DN350-500 PN16-20	DN250 PN16-20
DN250-350 PN2.5-10	DN600-800 PN10-20	DN300 PN16
	DN600-1200 PN 6-20	DN400-500 PN2.5-10
	DN 1400 PN 2.5-20	DN600-800 PN2.5-6
		DN900-1400 PN2.5

Konformitätsbewertungsverfahren
Conformity Assessment Procedure Module A1

Benannte Stelle für die Kontrolle
Notified Body for the Inspection TÜV International Group TÜV Rheinland, S.L. - N° 1027

Adresse
Address Avenida de Burgos, 114 3ª Planta 28050-Madrid


Zertifikatsnummer
Certificate number DEP.A1.000336

Angewendete Normen
Technical Standards used EN 593; EN 1561; EN 1563; etc

Armaturen ≤ DN 25 fallen unter der DGR 97/23/EG Art. 3.3 und dürfen nicht mit dem CE-Kennzeichen markiert sein. Valves ≤ DN 25 comply with the PED 97/23/CE Art. 3.3 and are therefore not allowed to be CE-labelled.

Eine auftragsbezogene Konformitätserklärung wird auf Wunsch ausgestellt.
 An order related conformity declaration will be issued on request.

für die Bevollmächtigte Vertretung
Authorised Person for the Manufacturer Managing Director

Michel Heri  Unterschrift:
(Name) *(Signature)* Datum: 30.05.2008
(Date)

InterApp AG
 Grundstrasse 24
 CH-6343 Rotkreuz
 Phone +41 (0) 41 7982233
 Fax +41 (0) 41 7982234
 info@ch.interapp.net

InterApp Germany
 Im Wasen 2
 D-78667 Villingendorf (RW)
 Phone +49 (0) 741 34885290
 Fax +49 (0) 741 34885292
 info@de.interapp.net

InterApp Austria
 Kolpingstrasse 19
 A-1230 Wien
 Phone +43 (0) 1 6162371-0
 Fax +43 (0) 1 6162371-99
 info@at.interapp.net

InterApp Italy
 Via Gramsci 29
 I-20016 Pero (MI)
 Phone +39 02 339371
 Fax +39 02 33937200
 info@it.interapp.net

InterApp Spain
 Calderón de la Barca 12
 E-28860 Paracuellos de Jarama
 Phone +34 (0) 91 6584360
 Fax +34 (0) 91 6581430
 info@es.interapp.net

InterApp France
 La Picoterie
 F-14400 Arganchy
 Phone +33 (0) 67 4366134
 Fax +33 (0) 23 1211895
 info@fr.interapp.net

InterApp Singapore Pte. Ltd.
 11, Changi North Street 1, #03-11
 Singapore 498823
 Phone +65 62141048
 Fax +65 62140481
 info@sg.interapp.net