

## CIM 721

### FLOW MEASUREMENT DEVICE WITH PLUG PRESSURE TEST PORTS (CIM 723)

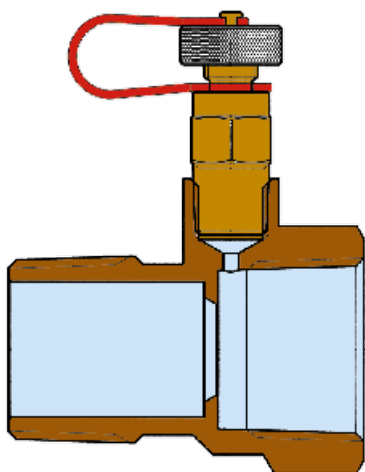


#### SERVICE RECOMMENDATIONS :

The Cimberio Commissioning set is a combined double regulating valve and separate flow measurement device, which provides high accuracy flow balancing, and measurement across all valve settings. The commissioning sets are suitable for both heating (LPHW) and cooling applications at working pressure up to 20 bar.

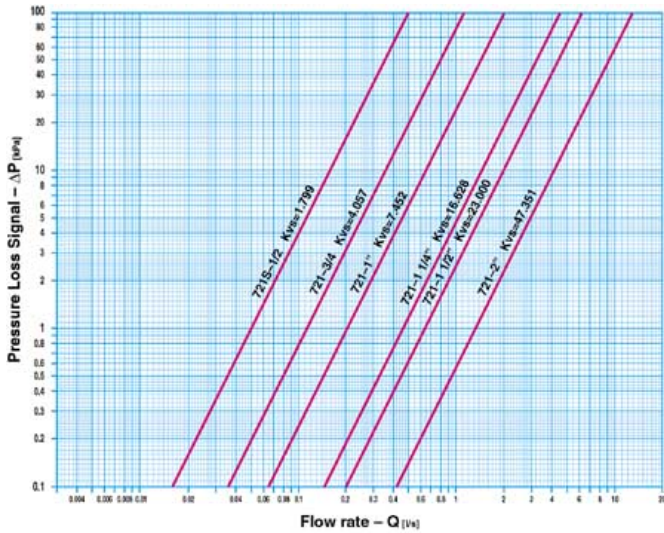
The main feature of the Cimberio commissioning set is an orifice type flow measurement device permitting high accuracy flow measurement of valve setting (Cim 721).

#### CROSS SECTION



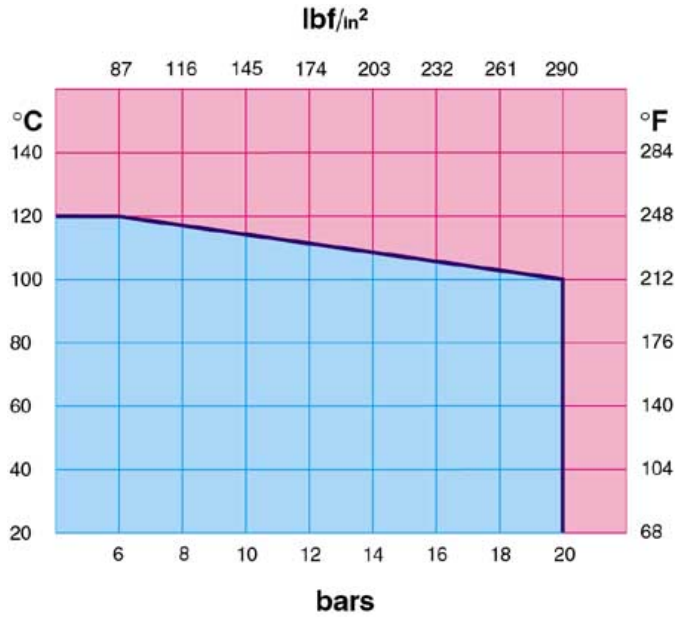
FLOW MEASUREMENT DEVICE : MACHINED FROM DRAWN BRASS BAR EN12164 CW 614N  
PLUG PRESSURE TEST PORTS : HOT FORGED BRASS EN 12165 CW 602N

## FLOW AND PRESSURE DROP



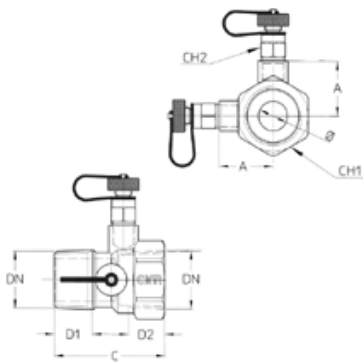
Flow and pressure drop  
 1 l/min = 0,06 m<sup>3</sup>/h  
 1 m<sup>3</sup>/h = 16,67 l/min

## PRESSURE TEMPERATURE RATINGS



Pressure / temperature ratings  
 1 bar = 14,5 p.s.i.  
 $^{\circ}\text{C} = 5/9 (^{\circ}\text{F}-32)$   
 $^{\circ}\text{F} = 32+9/5 ^{\circ}\text{C}$

## TECHNICAL DRAWING



DN	1/2 S	3/4	1"	1 1/4"	1 1/2"	2"
Ø mm.	8,4	12,8	16,6	23,5	28,4	39,6
Grms.	255	280	325	475	555	785
A	25	28	31	36	39	45
C	66,5	66,5	63,5	71	71	79,5
D1	15	16,3	19,1	21,4	21,4	25,7
D2	15	16,3	19,1	21,4	21,4	25,7
CH1	28	34	40	51	56	71
CH2	14	14	14	14	14	14

Connection:  
 ISO 7 RP (Parallel)

## TECHNICAL CHARACTERISTICS

	KV		KVS			
DN	1/2 S	3/4	1"	1 1/4"	1 1/2"	2"
Ø mm.	8,4	12,8	16,6	23,5	28,4	39,6
KV	2,210	5,750	10,289	23,580	33,199	75,802
KVS	1,799	4,057	7,452	16,628	23,000	47,351

KV = Capacity in m<sup>3</sup>/h at pressure drop of 1 bar

KVS = Water flow generated by a pressure loss of 1 bar measured on the test points.