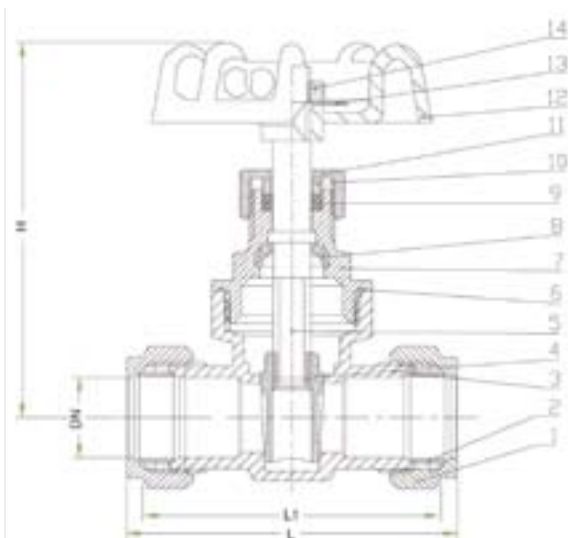


PN16 Brass Gate Valve

Features

- Compression Ends • BS5154
- Brass Body & Wedge



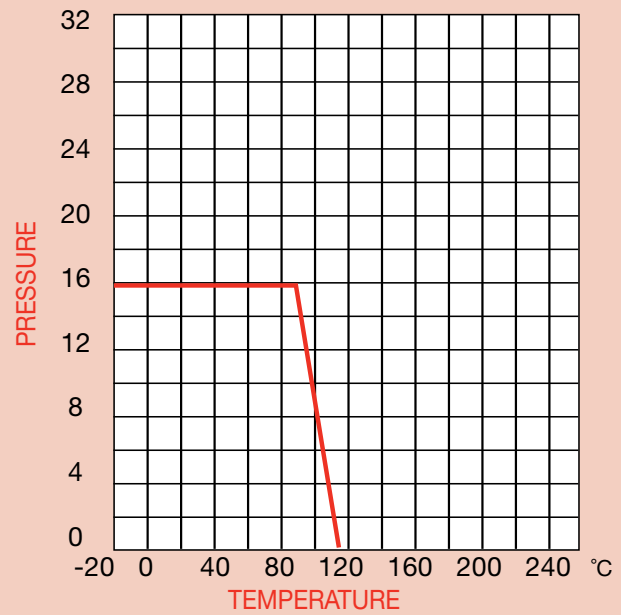
Technical Data

Max Pressure	16 bar
Working Temperature	-10°C to +110°C

Dimensions in mm

This data sheet is designed as a guide and should not be regarded as wholly accurate in every detail. We reserve the right to amend the specification of any product without notice.

Pressure / Temperature



DN	15mm	22mm	28mm	35mm	42mm	54mm
L	59	68	76	95	104	119
L1	48	48	58	77	77	99
H	67	78	90	130	145	172
Kgs	0.25	0.37	0.58	1.04	1.35	2.23

N.	Part Name	Materials
1	Compression Nut	Brass
2	Olive	T2
3	Body	Brass
4	Wedge	Brass
5	Stem	Brass
6	Seat	PTFE
7	Bonnet	Brass
8	Lock Ring	Brass
9	Packing	PTFE
10	Packing Gland Washer	Brass
11	Packing Gland Nut	Brass
12	Handle Wheel	Iron
13	Name Plate	Aluminium
14	Nut	Brass