

Aquaflow Valves, Onneley Works,
Newcastle Road, Woore, Cheshire CW3 9RU

tel: 01630 647111

fax: 01630 647734

www.aquaflowvalves.com

e-mail: response@aquaflowvalves.com



VALVES for the WATER INDUSTRY

SWING CHECK VALVE



WRAS
APPROVED
PRODUCT

figure 2200

Metal seat swing check valve used to prevent reverse flow.

Suitable for potable water, wastewater and sewage applications.

Features

- Unique lightweight ductile iron design
- WRAS approved non-metallic components
- Durable fusion bonded epoxy coated
- Positive hexagonal drive between shaft and hanger
- Corrosion resistant construction
- Optional external lever arm and weight assembly
- Drilling bosses and 1/2" BSP air release as standard
- Robust low maintenance design
- Suitable for both horizontal and vertical installation

Options

- External lever arm and weight, can be mounted on either side
- Safety guards for external lever arm and weight
- Flow sensing switching options
- Alternative flange drillings

SWING CHECK VALVE

figure 2200

ACCESSORIES

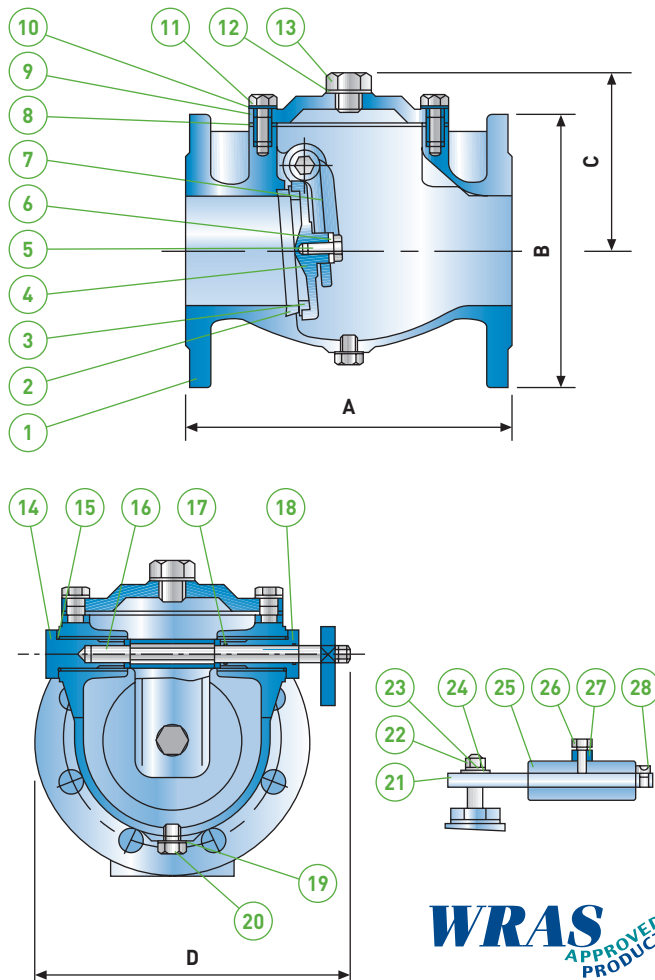
- Lever and Weight Kit
- Galvanised Steel Guard*
- Limit Switch

*Recommended for external lever arm and weight version.

DIMENSIONS

DN	A	B	C	D	Weight (kg)	
					Standard	+ Lever/Weight
50	203	165	135	230	14	15
80	241	200	132	235	20	22
100	292	220	140	268	26	28
125	330	250	170	300	38	41
150	356	285	186	313	50	52
200	495	340	218	378	96	98
250	622	405	272	493	155	163
300	698	460	311	535	215	223
350	787	520	675	635	330	380
400	914	580	745	690	435	485

Larger sizes available upon request. Dimensions in millimetres.



TECHNICAL SPECIFICATION

Standard:	BS EN 1074 Pt. 3:2000, BS EN 12334:2001 and BS 5153:1974
Range:	DN50 - DN400
Flanges & Drillings:	BS EN 1092-2:1987 Table 9 (PN16)
Alternatives:	BS EN 1092-2:1987 Table 8 (PN10) BS10 Table D or E
Maximum Working Pressure:	16 Bar
Hydrostatic Pressure Tests:	Seat: 1.1 x PN (17.6 Bar) Body: 1.5 x PN (24.0 Bar)
Temperature Range:	-10°C to 70°C Insulate at 0°C and below
Coating:	Blue fusion bonded epoxy (WRAS listed)
Face-to-Face Dimensions:	BS EN 558-1:1986 Table 10, Basic Series 10

MATERIAL SPECIFICATION

Item	Item Name	Material	Specification
1	Body	Ductile Iron	BS EN 1563 Gr 500/7
2	Body Seat Ring	Copper Alloy	BS EN 1982
3	Door Seat Ring	Copper Alloy	BS EN 1982
4	Door	Ductile Iron	BS EN 1563 Gr 500/7
5	Bolt	Stainless Steel	BS EN 10088
6	Washer	Stainless Steel	BS EN 10088
7	Hanger	Ductile Iron	BS EN 1563 Gr 500/7
8	Gasket	EPDM	WRAS Approved
9	Inspection Cover	Ductile Iron	BS EN 1563 Gr 500/7
10	Washer	Stainless Steel	BS EN 10088
11	Bolt	Stainless Steel	BS EN 10088
12	Gasket	PTFE	WRAS Approved
13	Air Release Plug	Stainless Steel	BS EN 10088
14	Std. Bush Nut	Copper Alloy*	BS EN 1982
15	Bush Seal	EPDM	WRAS Approved
16	Spindle	Stainless Steel	BS EN 10088
17	'O' Ring	EPDM	WRAS Approved
18	L/W Bush Nut	Copper Alloy*	BS EN 1982
19	Gasket	PTFE	WRAS Approved
20	Drain Plug	Stainless Steel	BS EN 10088
21	Lever Arm	Mild Steel	BS EN 10025
22	Nut	Stainless Steel	BS EN 10088
23	Spring Washer	Stainless Steel	BS EN 10088
24	Washer	Stainless Steel	BS EN 10088
25	Counter Weight	Ductile Iron	BS EN 1563 Gr 500/7
26	Bolt	Stainless Steel	BS EN 10088
27	Nut	Stainless Steel	BS EN 10088
28	Bolt	Stainless Steel	BS EN 10088

DN50 body in BS 1452 Gr 220.

*DN350 and above Cast Iron with Copper Alloy insert.



VALVES for the WATER INDUSTRY