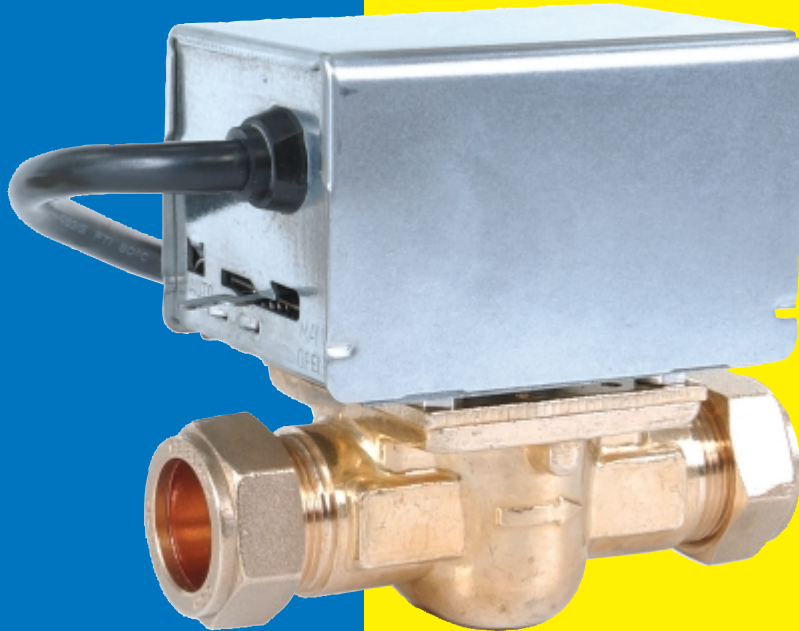




Motorized Valves



2 port spring return

3 port mid-position

3 port diverter

22mm & 28mm
Compression



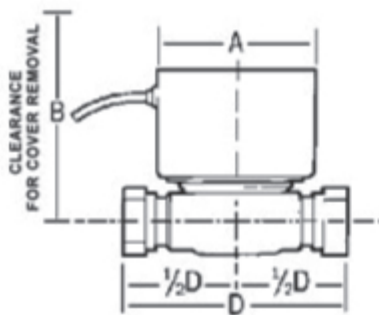
ZV Range MOTORISED VALVES

Specifications:

- * Voltage: 230V ~ 50Hz
- * Operating temperature range: +5 to +88°C
- * Maximum ambient temperature: +52°C
- * Pipe fitting sizes: 22mm and 28mm compression fitting
- * Power consumption: 6W
- * Lead supplied: 1 metre, 5 core
- * Auxiliary micro switch

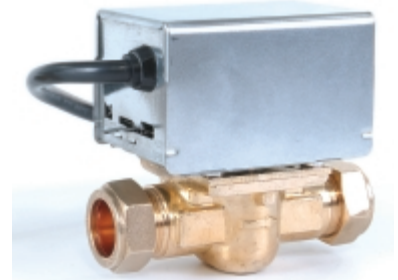
Motorised 2-Way Zone Valve Type ZV22C and ZV28C

Application: The ZV range valve has been designed to control the flow of water in iron and copper pipe systems. Although specifically designed for small bore central heating systems, the valve can be used in commercial and industrial applications



Dimensions (mm)

| <u>ZV22C</u> | <u>ZV28C</u> |
|--------------|--------------|
| A = 87 | A = 87 |
| B = 98 | B = 98 |
| C = 60 | C = 60 |
| D = 112 | D = 117 |

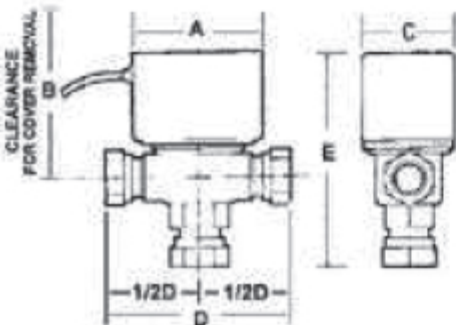


ZV22C

Motorised 3-Way Diverter Valve Type ZVD22C

Motorised 3-Way Mid-position Valve Type ZVM22C and ZVM28C

Application: The ZV range valve has been designed to control the flow of water in a small bore domestic central heating system where both radiator and hot water cylinder circulation are pumped. It is typically suited for systems up to 90,000 Btu/h (26 KW).



Dimensions (mm)

| <u>ZVD22C</u> | <u>ZVM22C</u> | <u>ZVM28C</u> |
|---------------|---------------|---------------|
| A = 87 | A = 87 | A = 87 |
| B = 98 | B = 98 | B = 98 |
| C = 60 | C = 60 | C = 60 |
| D = 112 | D = 112 | D = 117 |
| E = 133 | E = 133 | E = 137 |



ZVD22C & ZVM22C