

PRESSURE REDUCING VALVE
EUROBRASSBLU 143

ART. 143.B

EUROBRASSBLU 143

- Brass pressure reducing valve;
- Specific for potable water;
- PN 25;
- Adjustable outlet pressure between 0,5 and 6 bar;
- Brass diaphragm mechanism;
- System of pressure compensation;
- Max temperature of use 80° C;
- Available sizes: from 3/8" to 4".


FIELDS:

The pressure reducing valves series **EUROBRASSBLU 143** are suitable for reduction and control of pressure in plants with the following characteristics:

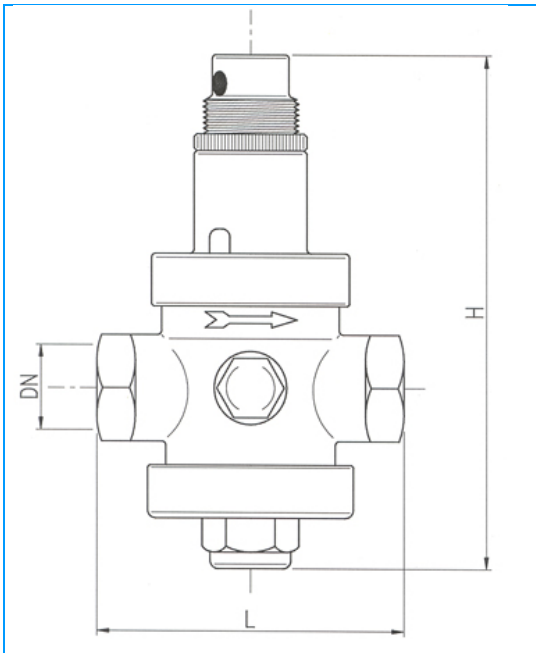
Max inlet pressure:	25 bar
Field of action (outlet pressure):	0,5 – 6 bar
Max temperature of use:	80° C
Threaded of connection:	ISO 228/1
Tested according to rules:	DIN EN 1567
Suitable fluids:	Water, air
Reduction rate:	10 : 1

MATERIALS:

Metal of the body:	Brass alloy CW617N UNI EN 12165 - CB753S EN 1984
Metal of the inner parts:	Brass alloy CW614N UNI EN 12164
Seat:	Stainless steel AISI 303
Bar:	Brass alloy CW614N UNI EN 12164 Stainless steel AISI 303 ¹
O-rings:	NBR 70sh - DIN EN 549
Flat gaskets:	MecSint – alimentary fibre
Plastic parts:	Ultramid® A3K (BASF)
Lubricant:	L100 – for alimentary use

¹ Sizes from 1"¼ to 2".

MAIN DIMENSIONS OF THE PRESSURE REDUCING VALVES EUROBRASSBLU 143



ITEM	DN	H	L
143.38	3/8"	120	75
143.12	1/2"	120	75
143.34	3/4"	150	85
143.33	1"	160	89
143.114	1" 1/4	220	125
143.112	1" 1/2	220	130
143.58	2"	250	138

DISCHARGE AND HEADLOSS CHART:

