

Stainless Steel Ball Valve – Two-Piece

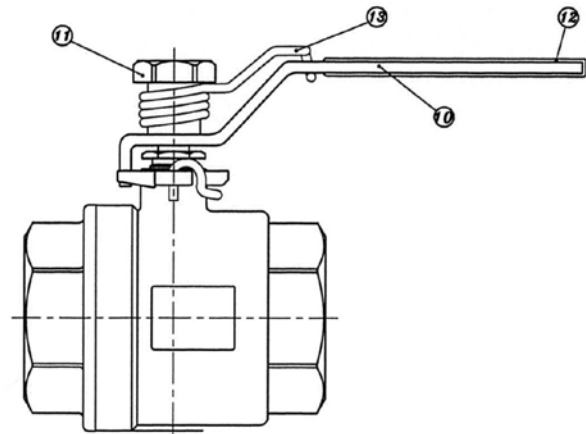
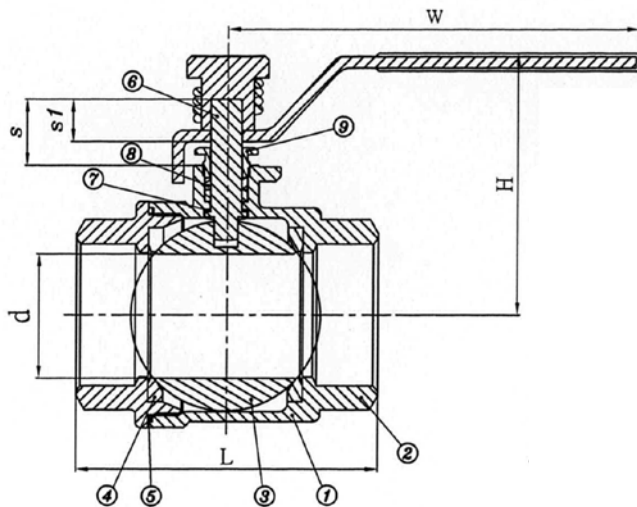
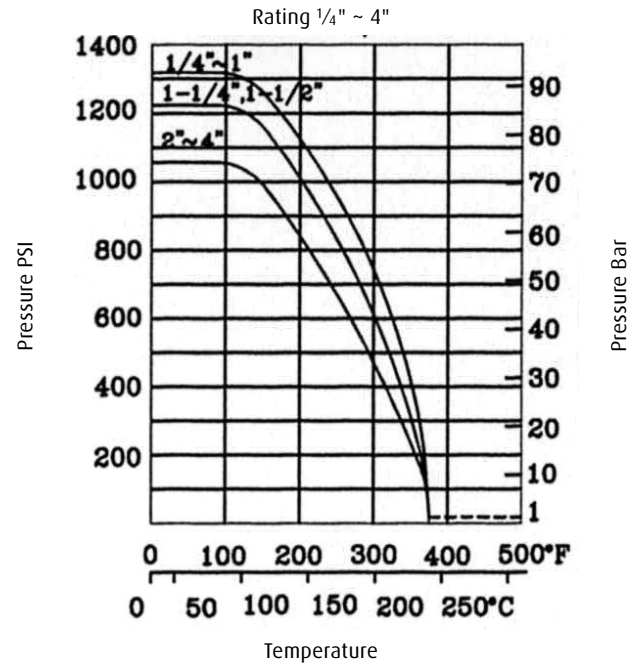
Full Bore with
Spring Close Lever



Material List

No.	Parts	Qty.	Materials
1	Body	1	ASTM-A351-CF8M
2	Cap	1	ASTM-A351-CF8M
3	Ball	1	ASTM-A351-CF8M
4	Ball Seat	2	PTFE
5	Joint Gasket	1	PTFE
6	Stem	1	AISI 316
7	Thrust Washer	1	PTFE
8	Stem Packing	2	PTFE
9	Gland Nut	1	AISI 304
10	Handle	1	AISI 304
11	Stem Nut	1	AISI 304
12	Plastic Cover	1	Plastic
13	Spring	1	AISI 304

Pressure Temperature Ratings



Stainless Steel Ball Valve – Two-Piece

Dimensions

Size	d	L	H	W	S	S1	X	N	P	BL	Cv Factor	Torque kgf-cm
1/4"	11.6	44.5	51.0	95	16.8	10.2	5.0	12.5	25.0	5/16"	6.6	40
3/8"	12.7	44.5	51.0	95	16.8	10.2	5.0	12.5	25.0	5/16"	7.9	40
1/2"	15.0	57.0	53.0	95	16.8	10.2	5.0	12.5	25.0	5/16"	11.2	54
3/4"	20.0	65.0	59.5	110	21.0	13.5	6.5	21.0	24.0	3/8"	21.0	74
1"	25.0	76.0	73.0	135	24.0	16.0	8.0	22.5	33.5	7/16"	35.0	104
1 1/4"	32.0	87.5	79.0	135	25.0	16.0	8.0	23.5	38.1	7/16"	57.0	135
1 1/2"	38.0	102	90.5	165	26.5	17.0	9.0	23.5	38.1	1/2"	80.0	180
2"	50.0	123	98.5	165	26.5	17.0	9.0	23.5	38.1	1/2"	148	250
2 1/2"	65.0	156	130.5	215	41.5	29.5	12.0	35.0	56.0	3/4"	265	480
3"	80.0	184	142.5	215	41.5	29.5	12.0	35.0	56.0	3/4"	415	750
4"	100	250	173.5	325	47.5	36.5	16.0	50.0	63.0	1"	780	1100

