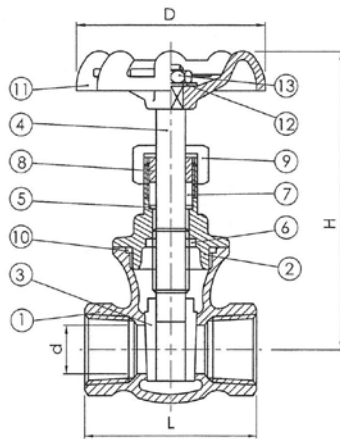


Stainless Steel Gate Valve

Screwed Female/Female
BSP

Features

- Full port pressure temperature rating 200 PSI/W.O.G. 350°F S.P.
- Threaded ends conform to ANSI B 2.1, BS 21, DIN 259/2999, ISO 228
- Stainless steel class 200 inside screw and screwed bonnet, wedge disc integral seat, non-rising stem and handwheel



Material List

1	Body	ASTM-A351-CF8M
2	Bonnet	ASTM-A351-CF8M
3	Disc	ASTM-A351-CF8M
4	Stem	AISI 316
5	Stem Washer	AISI 316
6	Snap Washer	AISI 316
7	Packing	PTFE
8	Gland	AISI 316
9	Packing Nut	ASTM-A351-CF8M
10	Packing	PTFE
11	Handwheel	Cast Iron
12	Plate	Aluminium
13	Wheel Nut	AISI 316



Dimensions

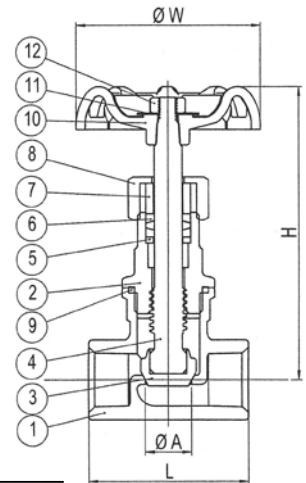
Size	A	L	H	W
DN15	15	54	96	60
DN20	25	58	103	70
DN25	25	65	112	70
DN32	32	75	128	80
DN40	40	78	149	90
DN50	50	87	165	100
DN65	40	115	197	115
DN80	50	135	225	135

Stainless Steel Globe Valve

Screwed Bonnet, Rising
Stem, Female/Female BSP

Features

- Full port pressure temperature rating 200 PSI/W.O.G. 350°F S.P.
- Threaded ends conform to ANSI B 2.1, BS 21, DIN 259/2999, ISO 228
- Stainless steel class 200 inside screw and screwed bonnet, swivel disc integral seat, rising stem and handwheel



Material List

1	Body	ASTM-A351-CF8M
2	Bonnet	ASTM-A351-CF8M
3	Disc	Stainless Steel 316
4	Stem	Stainless Steel 316
5	Stem Washer	Stainless Steel 316
6	Stem Packing	Teflon
7	Sleeve	Stainless Steel 316
8	Packing Nut	ASTM-A351-CF8M
9	Gasket	Teflon
10	Handwheel	Cast Iron
11	Name Plate	Aluminium
12	Wheel Nut	Stainless Steel 316



Dimensions

Size	A	L	H	W
DN10	10	52	108	60
DN12	12	52	108	60
DN15	15	52	108	60
DN20	20	60	118	70
DN25	25	72	130	80
DN32	32	80	150	90
DN40	40	90	160	100
DN50	50	106	178	115