

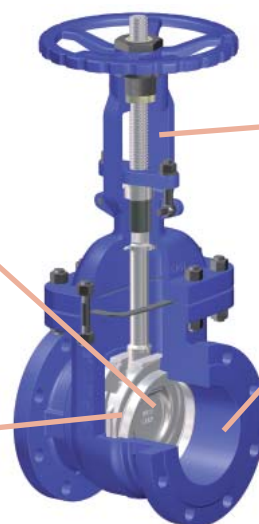
Metal Seated gate Valves are featured by the parallel seats and the valve shut off being achieved between the moving wedge and the vertical seats. Valves seats are integral to body being the moving wedge of flexible design which favours the shut off even at high pressures. Valves are of bidirectional design and are devised to on / off duties. The hand wheel closes the valve clockwise. These valves offer an excellent flow passage and low pressure drop being an optimal choice for slow on / off duties on non corrosive media, steam, gas, oil, fats and air.

Flexible Wedge, favours the closure even at low pressures

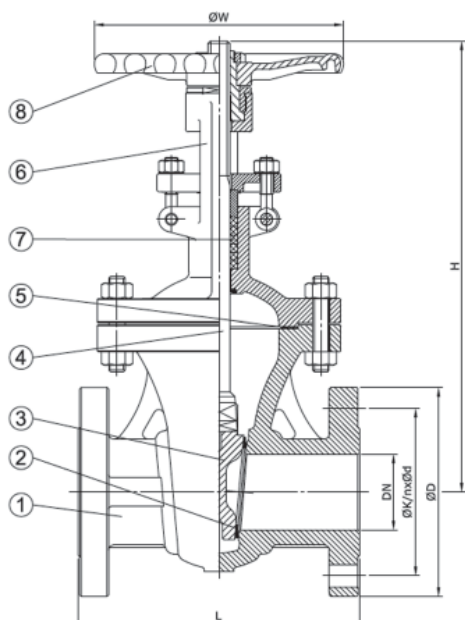
Outside screw and yoke (except S31) providing visual position

Full bore, minimum pressure drop

Paralell valve seats, vertical shut off, flow assists closure



Isolating Linear Valves for On/off* Leakage Rate according to Test procedure DIN 3230-3 * bidirectional design *Manufacturing Design to Harmonized Standard EN 1984 and DIN 3352 section 4* Design Pressure Rating: PN 16/25/40 * Size range: DN 40 – DN 1000 * Design Temperature Range: -10°C - 450°C * Face to face length DIN 3202 F5 (EN 558-15) * Valve End connections: en 1092/-1/2 flanged DIN PN 16/25/40* Approvals: PED 97/23/CE – Category II, Fluids Group 1 and 2.



Main Parts and Materials

Nº	PARTE	MATERIAL
1	BODY	Cast Iron EN JL1040 Cast Steel EN 1.0619 St. Steel EN 1.4408
2	SEATS	BrASS St. Steel 13Cr or Stellite (S3325-3340)
3	WEDGE	Cast Iron + Bronze Carbone Steel 13Cr
4	STEM	Brass or St. Steel 410
5	GASKET	Graphite
6	BONNET	Cast Iron EN JL1040 Cast Steel EN 1.0619 St. Steel EN 1.4408
7	PACKING	Graphite
8	HANDWHEEL	Cast Iron Ductile iron

Main Valve Dimensions (mm)

	DN	50	65	80	100	125	150	200	250	300	350	400	500	600
L (S31)		150	170	180	190	200	210	230	250	270	290	-	-	-
L (S33 PN16/25)		250	270	280	300	325	350	400	450	500	550	600	700	800
L (S33 PN40)		250	290	310	350	400	450	550	650	750	850	950	1150	1350
H (S31)		280	293	342	380	445	490	605	672	870	934	-	-	-
H (S33)		380	470	550	670	725	880	1085	1300	1540	680	1900	2580	2920
nxød (PN10)		4xø18	4xø18	4xø18	8xø18	8xø18	8xø23	8xø23	12xø23	12xø23	16xø23	-	-	-
D1 (PN10)		102	122	138	158	188	212	268	320	370	430	-	-	-
nxød (PN16)		4xø18	4xø18	8xø18	8xø18	8xø18	8xø22	12xø22	12xø26	12xø26	16xø26	16xø30	20xø33	20xø36
D1 (PN16)		165	185	200	220	250	285	340	405	460	520	580	715	840
nxød (PN25)		4xø18	8xø18	8xø18	8xø22	8xø26	8xø26	12xø26	12xø30	16xø30	16xø33	16xø36	20xø36	20xø39
D1 (PN25)		165	185	200	235	270	300	360	425	485	555	620	730	845
nxød (PN40)		4xø18	8xø18	8xø18	8xø22	8xø26	8xø26	12xø30	12xø33	16xø33	16xø36	16xø39	20xø42	20xø48
D1 (PN40)		165	185	200	235	270	300	375	450	515	580	660	755	890

Options

Higher pressure rated valves* Welded and threaded ends *extended Bonnet for underground service * limit switches * Chained hand Wheel * Electric Actuation * Gear operated*

Main Duties

Water* Neutral Liquids * Steam * Lubricants * Air