

CIM *72FPN16

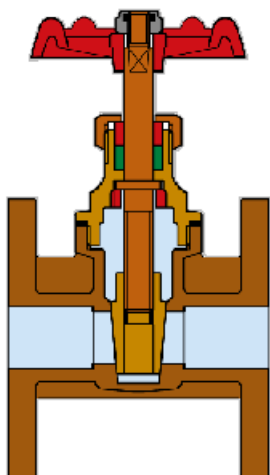
FLANGED FULLWAY BRONZE GATE VALVE - PN 16 - DRILLED



SERVICE RECOMMENDATIONS:

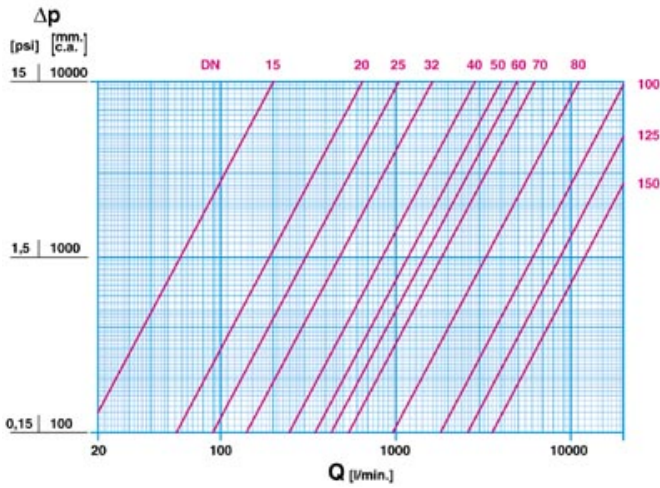
The CIM 72/F gate valve is manufactured in accordance with BS 5154/B - PN 16 and EN ISO 9002 and can be used in a wide range of plants, in any industrial and agricultural application: heating plants, sanitary systems, plumbing services, waterworks, steam, gasoline networks, petroleum and other hydrocarbons.

CROSS SECTION



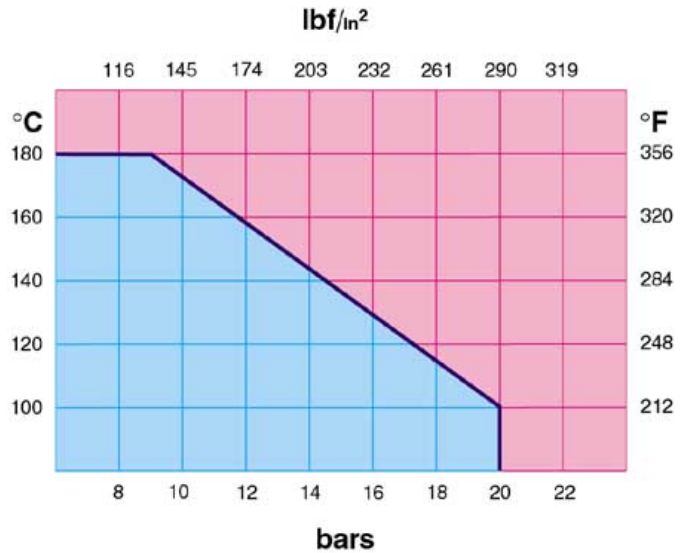
BODY :	CAST IN BROZE UNI 7013-8°-ISO 1338
BONNET :	HOT FORGED BRASS EN12165 CW 617N
STEM :	MACHINED FROM DRAWN BRASS BAR EN12164 CW 614N
WEDGE :	1/4-4" :HOT FORGED BRASS EN12165 CW 617N
WEDGE :	5"-6" CAST IN BROZE UNI 7013-8°-ISO 1338
STEM RING :	MACHINED FROM DRAWN BRASS BAR EN12164 CW 614N
PACKING :	NA 1030 Gr
GLAND NUT :	MACHINED FROM DRAWN BRASS BAR EN12164 CW 614N
GLAND PACKING :	AF 15/MA
GLAND :	MACHINED FROM DRAWN BRASS BAR EN12164 CW 614N
NUT :	SELF LOCKING TYPE
HANDWHEEL :	ALUMINIUM ALLOY AL/SI 12

FLOW AND PRESSURE DROP



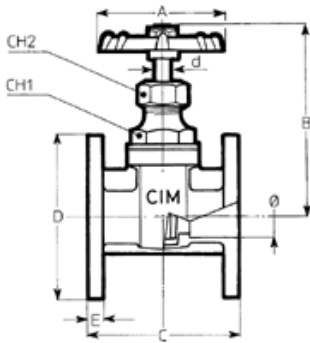
Flow and pressure drop
 1 l/min = 0,06 m³/h
 1 m³/h = 16,67 l/min

PRESSURE TEMPERATURE RATINGS



Pressure / temperature ratings
 1 bar = 14,5 p.s.i.
 $^{\circ}\text{C} = 5/9 (^{\circ}\text{F}-32)$
 $^{\circ}\text{F} = 32+9/5 ^{\circ}\text{C}$

TECHNICAL DRAWING



DN	1/2	3/4	1"	1 1/4"	1 1/2"	2"	2 1/4"	2 1/2"	3"	4"	5"	6"
Ø mm.	15	20	25	32	40	50	60	70	80	100	125	150
Grms.	1150	1660	2440	3180	4170	5130	6720	6540	10130	15060	22540	29800
A	55	60	65	75	80	90	90	110	120	140	175	175
B	84	96	102	120	134	160	173	185	208	250	306	360
C	69	83	89	98	115	126	141	154	160	170	190	210
D	95	105	120	140	150	162	175	160	189	230	260	290
E	8	8	10	10	11	11	12	12	13	17	17	18
CH1	24	30	32	32	39	47	49	55	66	84	114	136
CH2	18	18	18	21	23	25	25	30	30	37	45	50
d	8	8	8	10	10	12	12	13	14	17	19	21

Connection:
 Flanged to UNI 2223/ PN 6 10 16

On request:
 BS table F-D-E
 ANSI B16.5 150

TECHNICAL CHARACTERISTICS

KV

DN	1/2	3/4	1"	1 1/4"	1 1/2"	2"	2 1/4"	2 1/2"	3"	4"	5"	6"
Ø mm.	15	20	25	32	40	50	60	70	80	100	125	150
KV	12	39	61	96	171	246	300	372	660	1212	1500	1818

KV = Capacity in m³/h at pressure drop of 1 bar

CS = Starting torque in Nm.