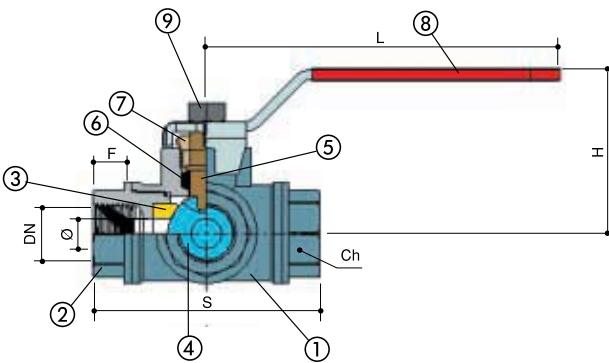
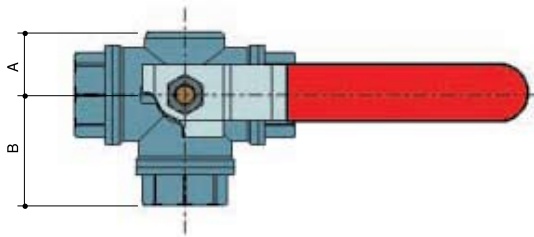


## PN32 Brass 3 Way Ball Valve

### Features

- Screwed BSP Parallel
- PTFE Seats & Seals
- Reduced Bore
- L & T Port



ART 70



ositions

ART 71

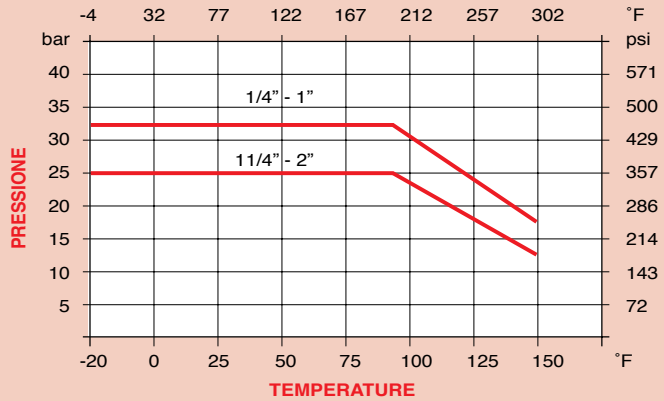


Ball Positions

Dimensions in mm

This data sheet is designed as a guide and should not be regarded as wholly accurate in every detail. We reserve the right to amend the specification of any product without notice.

### Pressure / Temperature



DN	1/4"	3/8"	1/2"	3/4"	1"	1 1/4"	1 1/2"	2"
A	75	75	75	85	103	114	130	160
B	40	40	40	54	60	69	90	101
C	7	7	7	11	11	11	15	15
E	59	59	59	67	81	96	108	135
Ch	27	27	27	32	40	50	55	69
L	9	9	9	11	11	11	14	14
ø	36	36	36	50	50	50	70	70
Torque	7	8	10	17	19	21	30	33
Kgs	0.69	0.73	0.82	1.04	1.74	2.70	4.32	8.37

### Technical Data

Working Pressure 1/4"-1" 32 bar 1 1/4"-2" 25 bar

Working Temperature -20°C to +150°C

N. Part Name	Materials	Treatment
1 Body	Brass CW617N-UNI EN 12165/98	Nickel plated
2 Body End	Brass CW617N-UNI EN 12165/98	Nickel plated
3 Seat	PTFE	
4 Ball	Brass CW617N-UNI EN 12165/98	Nickel plated
5 Stem	Brass CW614N-UNI EN 12165/98	
6 Stem Seat	PTFE	
7 Packing Nut	Brass CW614N-UNI EN 12165/98	
8 Handle	Steel	PVC Coated
9 Nut	Steel	Zinc Plated