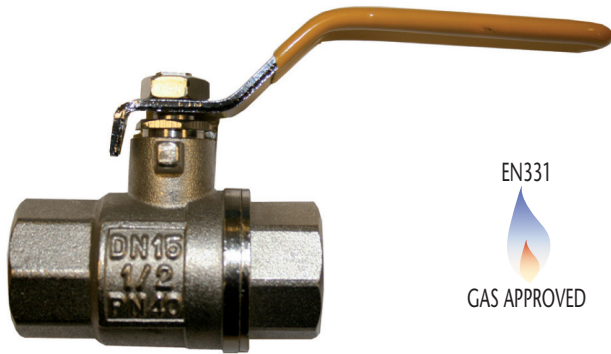


PN40 Brass Ball Valve

Features

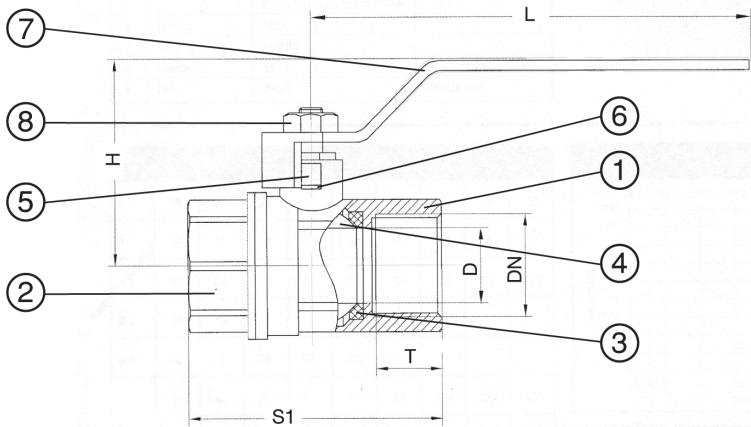
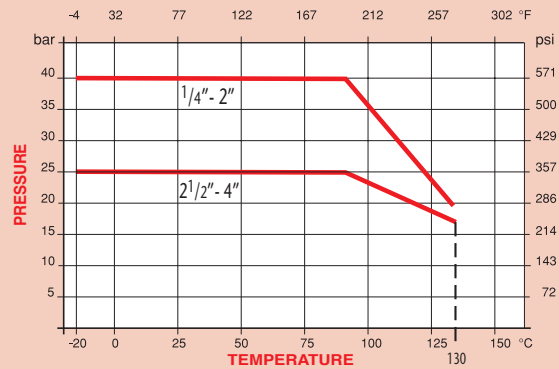
- Screwed BSPP Ends
- PTFE Seats & Seals
- PN40 Rated up to 2"
- Anti Blow-out Stem
- Full Bore



Technical Data

Max Pressure 1/4" - 2" 40 bar 2 1/2" - 4" 25 bar
 Working Temperature -20°C to +130°C

Pressure / Temperature



N.	Part Name	Materials	Treatment
1	Body	Brass CW617N-UNI EN 12165/98	Nickel plated
2	Body End	Brass CW617N-UNI EN 12165/98	Nickel plated
3	Seat	PTFE	
4	Ball	Brass CW617N-UNI EN 12165/98	Chrome plated
5	Stem	Brass CW614N-UNI EN 12164/98	
6	O-Ring	PTFE	
7	Handle	Steel	PVC Coated
8	Nut	Steel	Nickel Plated

DN	1/4"	3/8"	1/2"	3/4"	1"	1 1/4"	1 1/2"	2"	2 1/2"	3"	4"
D	10	10	14.5	19	24.5	31.5	39.5	49.5	62	73	90
T	12.2	12.2	16	16	20.5	20.5	20.5	26.3	28.8	28.8	36.6
S1	45.6	45.6	56.2	68	78	87	100	120	146	170	200
H	38	38	44	46.5	53.5	67	72	77	115	121	135
L	83	83	95.5	115.5	115.5	131	163	163	247	247	247
Kgs	0.14	0.14	0.20	0.26	0.41	0.61	0.95	1.35	2.50	3.80	6.80

Dimensions in mm

This data sheet is designed as a guide and should not be regarded as wholly accurate in every detail. We reserve the right to amend the specification of any product without notice.